

Oxygen Concentrators

Perfecto2 (IRC5P, IRC5PO2)

Perfecto2V (IRC5PO2V)

PerfectoW (IRC5PW, IRC5PO2W)

Platinum 5LX

Non Platinum 5LX

10L

HomeFill™ Oxygen System

DODD

Check O2 Plus Conc. Analyzer



Parts Catalog Usage Guide

The information contained in this document is subject to change without notice. This catalog contains service parts for Form No. 93-38. If you have any questions regarding this catalog, please contact one of our Customer Service Representatives.

For Customer Service Support Call:

1-800-333-6900

For Faxed In Orders Call:

1-800-678-4682 or

1-440-366-0709

For Technical Service Call:

1-800-832-4707

Literature Can Be Found at:

www.invacare.com or

1-800-828-6272

SYMBOL DEFINITION

Throughout this catalog you will notice letters to draw your attention to specific footnotes which are located at the bottom of the page or below specified charts.

Examples:

A,B,C etc. = Special Comments

NOTE: = General information pertaining to that specific page

NLA = No Longer Available

HARDWARE MEASUREMENTS

The measurements for the hardware will be listed as follows:

Screws, Bolts Diameter X Thread Count/Pitch X Length

Washers Inside Diameter X Outside Diameter X Thickness

Spacers Inside Diameter X Outside Diameter X Length

For your convenience, we have supplied an area for you to list your Invacare Representatives.

Name	Phone Numbers

© 2011 Invacare Corporation, Elyria, Ohio. Invacare, the Medallion Design, Venture and Yes, you can. are registered trademarks of the Invacare Corporation. Platinum, Check O2 Plus and HomeFill are trademarks of Invacare Corporation. Palnut is a registered trademark of Transtechnology Corporation. Tygon is a registered trademark of Norton Company. Information is subject to change without notification.

TABLE of CONTENTS

Description	Page Number
Accessories - Concentrator Tool Kit	86
Accessories - Venture Demand Oxygen Delivery Device & Cylinder	84
Cabinet and Base (10 Liter Models)	13
Cabinet and Base (Perfecto2)	15
Cabinet and Base (Perfecto2V)	17
Cabinet and Base (PerfectoW)	19
Cabinet and Base (Platinum 5 Models)	11
Cabinet, Base, Cylinder and Tabletop (Non Platinum 5 Models)	8
Compressor and Mounting Hardware (10 Liter Models)	27
Compressor and Mounting Hardware (Non Platinum 5 Models)	21
Compressor and Mounting Hardware (Perfecto2/PerfectoW)	29
Compressor and Mounting Hardware (Perfecto2V)	31
Compressor and Mounting Hardware (Platinum 5 Models)	24
Control Panel and P.C. Board (Non Platinum 5 Models - After 12/14/00)	36
Control Panel and P.C. Board (Platinum 5 Models - After 12/5/02)	42
Control Panel and P.C. Board (Platinum 5 Models - Before 12/5/02)	39
Control Panel and P.C. Board (10 Liter Models)	45
Control Panel and P.C. Board (Non Platinum 5 Models - Before 12/15/00)	33
Control Panel and P.C. Board (Perfecto2/Perfecto2V/PerfectoW)	47
HomeFill Base and HomeFill Stand Components	80
HomeFill Cylinder Assembly	82

TABLE of CONTENTS

Description	Page Number
Invacare Check 02 Plus Concentrator Analyzer	79
Miscellaneous Components	89
Packaging, Literature, and Preventative Maintenance Kit	4
Quick Reference Chart	6
Remote Flowmeters	76
Sieve Bed Assembly and Product Tank (Platinum 5 Models)	66
Sieve Bed Assembly and Product Tank (10 Liter Models)	68
Sieve Bed Assembly and Product Tank (Non Platinum 5 Models)	63
Sieve Bed Assembly and Product Tank (Perfecto2)	70
Sieve Bed Assembly and Product Tank (Perfecto2V)	72
Sieve Bed Assembly and Product Tank (PerfectoW)	74
Sound Box Assembly (10 Liter Models)	56
Sound Box Assembly (Non Platinum 5 Models)	49
Sound Box Assembly (Perfecto2/Perfecto2V)	59
Sound Box Assembly (PerfectoW)	61
Sound Box Assembly (Platinum 5 Models)	53
Warranty Replacement Parts	88

Packaging, Literature, and Maintenance Kits

Literature and Preventative Maintenance Kit

Item Number	Note	Part Number	Description	Quantity Per	
				Package	Assembly
	A,B	1106666	Owner's Manual, Domestic U.S. (IRC3LX,5LX,6LX)	1	1
	A,C	1110514-NLA	NLA - Owner's Manual, Domestic U.S. (IRC3LX,5LX)	1	1
	A,B	1059390-NLA	NLA - Owner's Manual, Canadian (IRC3LX,5LX,6LX)	1	1
	A	1118353	Owner's Manual, 10L	1	1
	A	1100873	Owner's Manual, Domestic U.S., HomeFill Oxygen System	1	1
	A	1114802-NLA	NLA - Owner's Manual, Canadian, HomeFill Oxygen System	1	1
	A	1075286	Operator's Manual, IOH100	1	1
	A,B	2000895	Kit, Preventative Maintenance (IRC3LX,5LX)	1	1
	A,D	1117149	Kit, Receptacle Fitting Brass	1	1
			NLA - Fitting, Brass (1/4")	1	1
			Instruction Sheet	1	1
	A,E	1123520	Kit, Preventative Maintenance, Platinum 5	1	1
		See Chart	Packaging and Literature	1	1
	A	1143482	Owner's Manual, Perfecto2/Perfecto2V/PerfectoW	1	1
	A	1154302	Placard, HomeFill Compressor Guide For Facility Use	1	1

NOTE: A - Not Shown.
 B - All Models Except Platinum 5.
 C - Platinum 5 Models.
 D - Kit includes: (1) each #1105572 Receptacle Fitting, (1) each #1117150 Instruction Sheet.
 E - Kit includes: (2) each #1107412 Cabinet Filter, (1) each #1131249 Inlet Filter, (1) each #P0750X030 HEPA Filter and (1) each #1134864 Preventative Maint. Record Sheet.

NOTE: IRCSA - Extended Warranty for IRC3LX Models.

NOTE: When adjusting or replacing parts, refer to your Owner's Manual for assistance.

Packaging, Literature, and Maintenance Kits

Packaging

	Packaging Kit	Carton	Kit Top/Bottom	Top Insert	Poly Bag	Bottom Insert	Misc. Pieces Assembly
All Models Except Platinum 5	2002771 See Note(s) A	2000725	N/A	1112247	2000454	1112246	1110580 See Note(s) F
Platinum 5 and 10L Models	1133694 See Note(s) H	1108744	1135509 See Note(s) D	1116624-NLA See Note(s) C	2000454	1116625-NLA See Note(s) C	N/A
Homefill	1102315 See Note(s) B	N/A	N/A	N/A	N/A	N/A	N/A
Perfecto2, Perfecto2V, PerfectoW	1161123 See Note(s) H	1162043	N/A	1162044	2000454	1147923	1162042 See Note(s) G
PL6 Homefill Cylinder	N/A	1151765	1151765 See Note(s) E	N/A	N/A	N/A	N/A
P9 Homefill Cylinder	N/A	1151766	1151766 See Note(s) E	N/A	N/A	N/A	N/A
PL4 Homefill Cylinder	N/A	1151767	1151767 See Note(s) E	N/A	N/A	N/A	N/A

NOTE: A - Includes Carton, Inserts, Bag, Owner's Manual, Tygon Tubing and Humidifier Adaptor.
 B - Includes Shipper Carton, Bag and Foam Inserts.
 C - Individual item no longer available, refer to Kit Part #1135509 as a replacement.
 D - Kit includes Top and Bottom Foam Inserts.
 E - Kit includes Carton and Foam Inserts.
 F - Includes Humidifier Bottle Adapter, Owner's Manual, Humidifier Bottle Tube, and Poly Bag.
 G - Includes Carton Foam Insert
 H - Kit includes Carton, Top Insert, Bottom Insert and Poly Bag

Quick Reference Chart

If unit was manufactured before 01/2001, then entire Manifold/Valve Assembly Kit, Part Number 110552 is required for Non Platinum Concentrators. See Category "Sound Box Assembly" for more information.

Common Replacement Filters

Part Number	Description
P0750X030	Bacteria Filter (All Models)
2000489	Cabinet Filter (All Models except Platinum 5)
1107412	Cabinet Filter (Platinum 5 Models and 10 Liter Model)
1143492	Cabinet Filter (Perfecto2/Perfecto2V/PerfectoW)
1131249	Inlet Filter (All Models)

Model	Compressor Assembly	Sieve Beds	4 Way Valve	P.C. Board
3LX	See Note See Note(s) L	1101707 See Note(s) B	1101141 See Note(s) G	1078183-NLA See Note(s) A
5LX (Before 04/2002)	See Note See Note(s) L	1101707 See Note(s) B	1101141 See Note(s) G	1078183-NLA See Note(s) A
5LX Platinum	1106690 See Note(s) C	1110783 See Note(s) B	1101141 See Note(s) G	1078183-NLA See Note(s) F, A
5LX Platinum	1106690E See Note(s) C	1110783 See Note(s) B	1101141 See Note(s) F, A	1078183-NLA See Note(s) B
5LX Platinum	1157138 See Note(s) D	1110783 See Note(s) B	1101141 See Note(s) G	1108720 See Note(s) E
5LX Platinum	1157138 See Note(s) D	1110783 See Note(s) B	1101141 See Note(s) G	1108720E See Note(s) E
5LX02 (Before 07/1998)	See Note See Note(s) L	1101707 See Note(s) B	1101141 See Note(s) G	1078181-NLA See Note(s) A
5LX02 (07/1998 - 03/2002)	See Note See Note(s) L	1101707 See Note(s) B	1101141 See Note(s) G	See Note See Note(s) A, L
5LX02 Platinum	1106690 See Note(s) C	1161699 See Note(s) B	1101141 See Note(s) G	See Note See Note(s) A, L, F
5LX02 Platinum	1157138 See Note(s) D	1161699 See Note(s) B	1101141 See Note(s) G	1108731 See Note(s) A
5LX02 Platinum	1157138 See Note(s) D	1161699 See Note(s) B	1101141 See Note(s) G	1108731E See Note(s) A
5SLX02T	See Note See Note(s) L	1101707 See Note(s) B	1101141 See Note(s) G	1079444-NLA See Note(s) A
6LX02 (Before 07/1998)	1075071	1101707 See Note(s) B	1101141 See Note(s) G	1078181-NLA See Note(s) A
6LX02 (After 06/1998)	1075071	1101707 See Note(s) B	1101141 See Note(s) G	See Note See Note(s) A, L

Quick Reference Chart

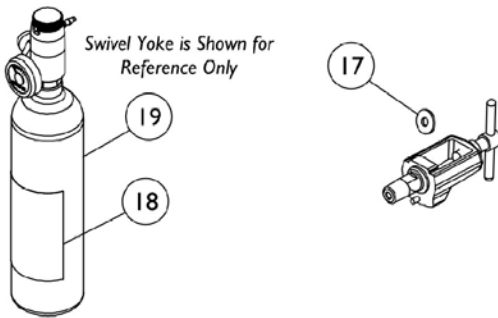
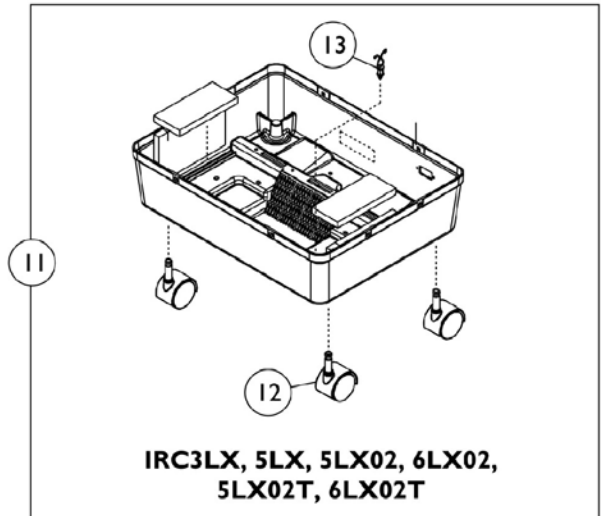
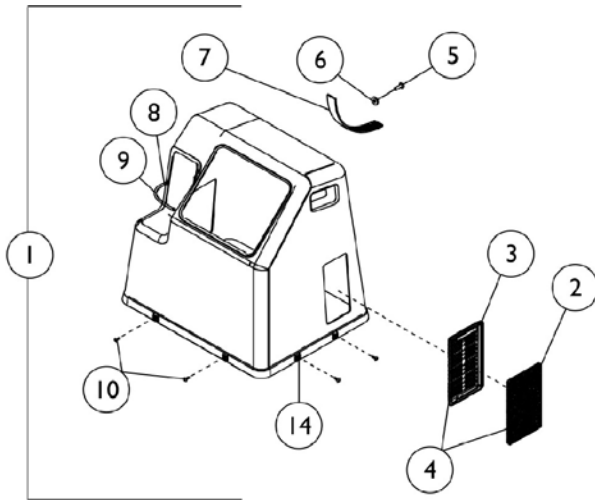
If unit was manufactured before 01/2001, then entire Manifold/Valve Assembly Kit, Part Number 1105552 is required for Non Platinum Concentrators. See Category "Sound Box Assembly" for more information.

Model	Compressor Assembly	Sieve Beds	4 Way Valve	P.C. Board
6LX02T	1075071	1101707 See Note(s) B	1101141 See Note(s) G	1079444-NLA See Note(s) A
6LX02H	1075071	1101707 See Note(s) B	1101141 See Note(s) G	1078181-NLA See Note(s) A
10LX	1130666	1144034 See Note(s) B	1101141 See Note(s) G	1128737
10LX	1130666E	1144034 See Note(s) B	1101141 See Note(s) G	1128737
10LXO2	1130666	1144034 See Note(s) B	1101141 See Note(s) G	1128742
10LXO2	1130666E	1144034 See Note(s) B	1101141 See Note(s) G	1128742
Perfecto2 (IRC5P) PerfectoW (IRCPW) w/o SensO2	1162038 See Note(s) H	1161257 See Note(s) K	1101141	1143475
Perfecto2 (IRC5PO2) PerfectoW (IRCPO2W) w/ SensO2	1162038 See Note(s) H	1161257 See Note(s) K	1101141	1143486
Perfecto2 (IRC5PO2) PerfectoW (IRCPO2W) w/ SensO2	1162038 See Note(s) H	1161257 See Note(s) K	1101141	1143486E
Perfecto2V (IRC5PO2V) w/ SensO2	1165097 See Note(s) K	1165099 See Note(s) J	1101141	1164808

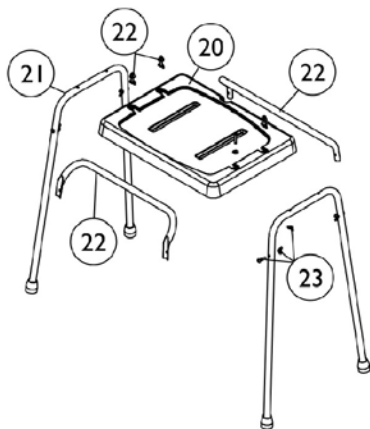
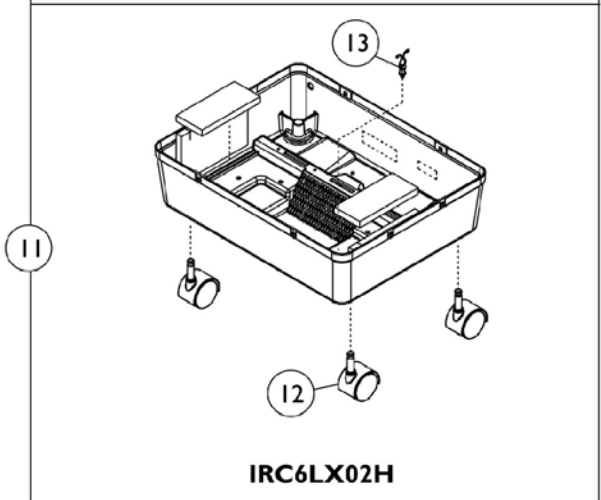
NOTE: A - Includes instruction sheet.
 B - Includes (2) Sieve Beds, (2) Clamps, (2) Hose Clamps, and (4) Tie Wraps.
 C - Before 04/14/2004.
 D - After 04/13/2004.
 E - After 11/2002.
 F - Before 12/2002.
 G - If the unit was built before 01/2001, then the entire Manifold/Valve Assembly Kit, Part Number 1105552 is required for Non Platinum Concentrators. See Category "Sound Box Assembly" for more information.
 H - When replacing the Compressor Assembly, Part Number 1131250, Capacitor w/ Tie Wraps is also required.
 J - Includes (2) Sieve Beds, (2) Tie Wraps, 8" Long, and (4) Tie Wraps, 17-1/2" Long.
 K - When replacing the Compressor Assembly, Part Number 1165098, Capacitor w/ Tie Wraps is also required.
 L - No longer available in the field as a service part.

Cabinet, Base, Cylinder and Tabletop

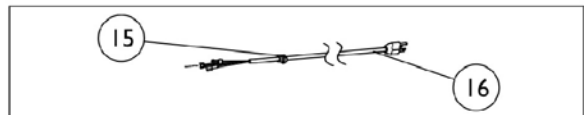
All Models Except Platinum 5



IOH100, IRC6LX02H



IOH250 - Tabletop



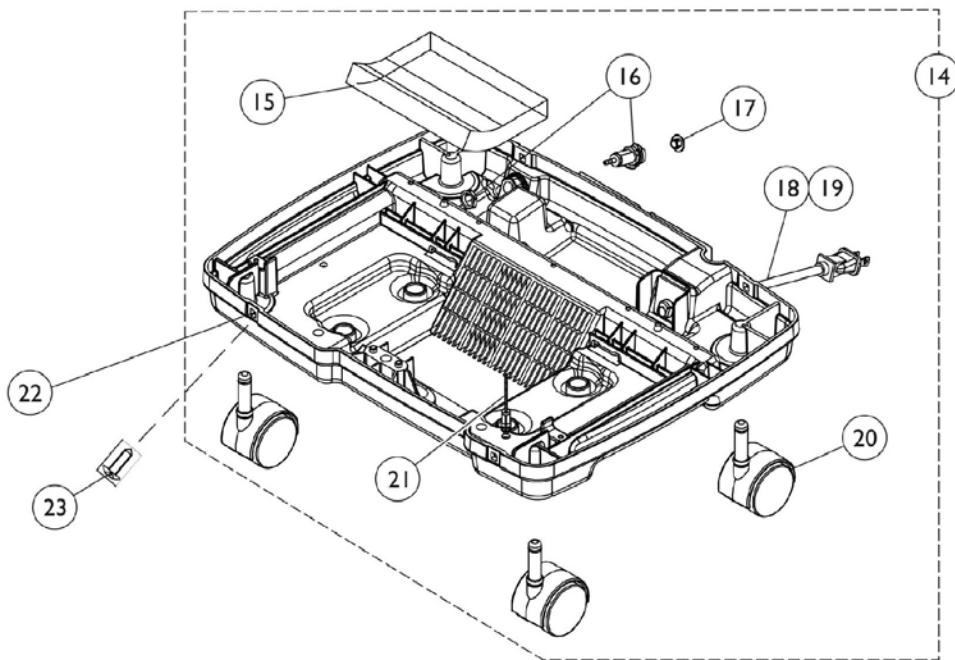
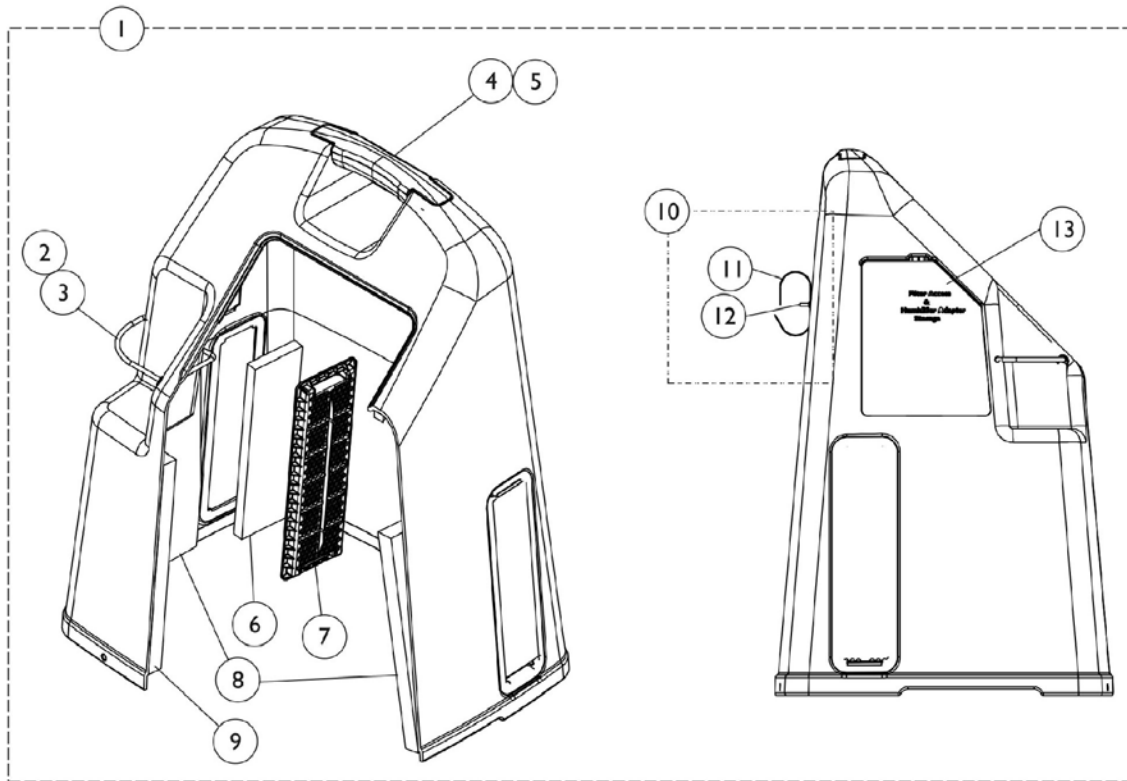
Cabinet, Base, Cylinder and Tabletop All Models Except Platinum 5

Item Number	Note	Part Number	Description	Quantity Per	
				Package	Assembly
1	A	2002295	Cabinet Assembly	1	1
		2002001-NLA	NLA - Foam, Side Cabinet	1	1
		2001999-NLA	NLA - Foam, Front Cabinet	1	1
2		2000489	Filter, Cabinet	1	2
3		2002107	Grid, Filter	1	2
4		2001609	Filter Grid and Cabinet Filter Assembly	1	2
5		2002540	NLA - Rivet, Plastic	1	1
6		1022500	Retainer, Push On	1	1
7		P0875X071-NLA	Strap, Hook and Loop	1	1
8		1070050	Tie Wrap (3-29/32" L)	1	1
9		1008547	Cord, Elastic	1	1
10		2000508	Screw, Phillips Truss Head Self Tap (#8-32 x 5/8")	1	8
11	H	1074004-NLA	NLA - Base Assembly, IRC5LX02T	1	1
11	H	1075661-NLA	NLA - Base Assembly, IRC6LX02	1	1
11	H	2001792	Base Assembly, IRC3LX, 5LX, 5LX02	1	1
11	H	1075662-NLA	NLA - Base Assembly, IRC6LX02T	1	1
11	H	1073358-NLA	NLA - Base Assembly, IRC6LX02H	1	1
12	B,C	P0875X500	Caster Assembly (2")	1	4
12	D,J	1076830-NLA	NLA - Caster (2")	1	4
12		1110426	Caster Assembly (2")	1	4
13		2000576	Stand-Off, Twist-Lok (1/2")	1	1
14		2000360	Grommet, Plastic	1	8
15		1056249	Relief, Strain	1	1
16	G	2001761	Cord, Power, Domestic U.S.	1	1
16	F	2000773	Cord, Power, Domestic U.S.	1	1
16		1081182	Cord, Power, Canadian	1	1
17		1075469	Washer (11/16 x 1/4 x 1/16")	1	1
18		1125090	Label, Oxygen Cylinder	1	1
19	I	IOHM6	Oxygen Cylinder and Regulator, M6 Size Cylinder	1	1
19	I	IOHM9	Oxygen Cylinder and Regulator, C Size Cylinder	1	1
19	I	IOHD	Oxygen Cylinder and Regulator, D Size Cylinder	1	1
19	I	IOHE	Oxygen Cylinder and Regulator, E Size Cylinder	1	1
	E	1079987-NLA	NLA - Cable (Telemetry Set-Up)	1	1
	E	1075248	Label, Cylinder Ring	1	1
	E	1075219	Label, Cylinder	1	1
	E	1013763	Label, Power Cord Warning	1	1
20		1101103-NLA	NLA - Top, Table	1	1
21		1102388-NLA	NLA - Leg	1	2
22	K	1105524-NLA	NLA - Brace	1	1
23		1102628-NLA	Kit, Table Top Hardware	1	1
			Screw, Phillips Pan Head (1/4-20 x 1-1/2")	1	4
			Nut, Wing (1/4-20)	1	4
			NLA - Washer (1/4 x 23/32 x 1/16")	1	4

Cabinet, Base, Cylinder and Tabletop All Models Except Platinum 5

Item Number	Note	Part Number	Description	Quantity Per	
				Package	Assembly
	E	1101911-NLA	NLA - Carton, Table	1	1
	E	1100874-NLA	NLA - Instruction Sheet, Table Top	1	1
	E	1056748-NLA	NLA - Suppressor, Surge	1	1
<p>NOTE: A - Includes Items 2 thru 9. B - Attach Casters using Screws. If necessary, order Screw p/n P0851X410 (4 ea) and Keps Nut p/n P0870X400 (4 ea). C - Before 6/15/98 (Screw in Style). D - After 6/14/98 (Stem Style). E - Not Shown. F - To be used on 301/501 Models. G - To be used with LX Models. H - Includes Casters, Foam and Standoff. I - Includes Labels and Carton. J - Item no longer available, refer to Part #1110426. K - Individual Item no longer available, replace with an IOH260 Ready Rack.</p>					

Cabinet and Base Platinum 5 Models



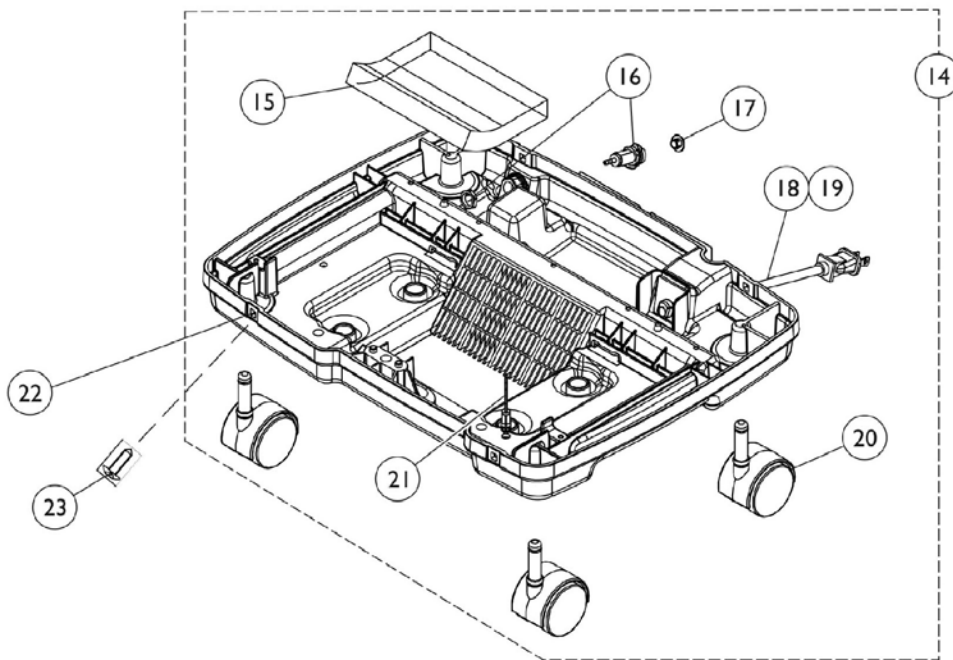
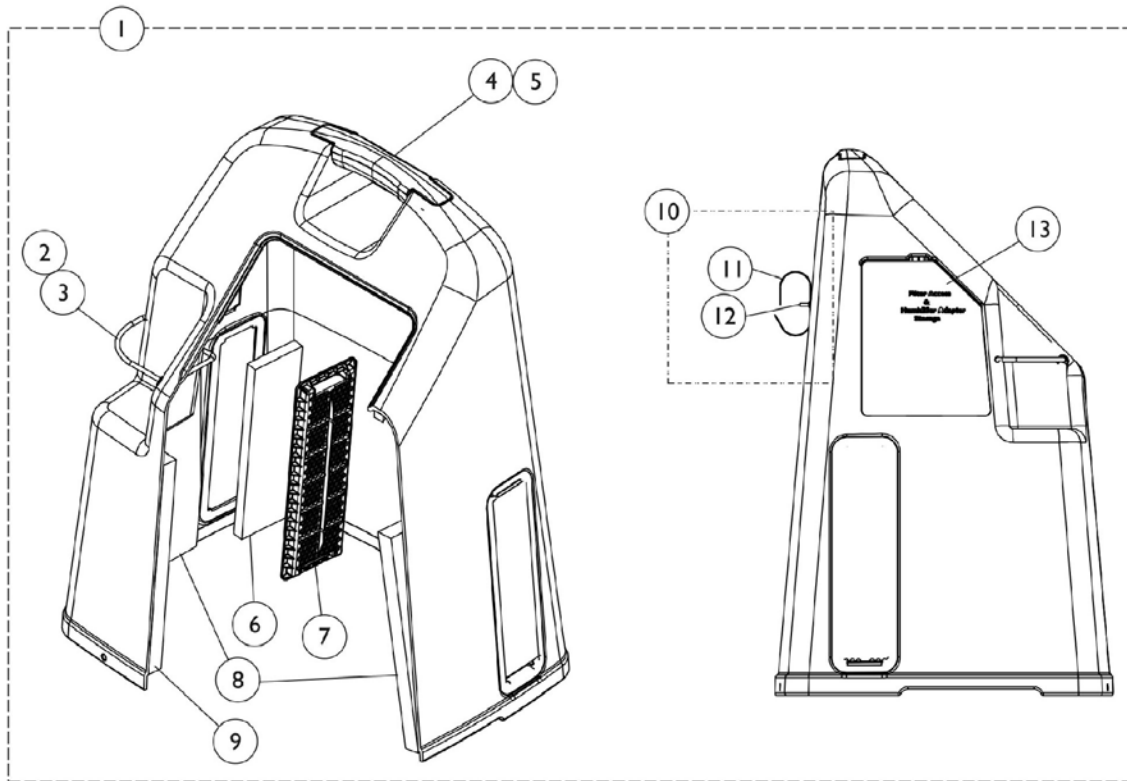
Cabinet and Base Platinum 5 Models

Item Number	Note	Part Number	Description	Quantity Per	
				Package	Assembly
1	E,A	1108803	Cabinet Cover without Tie Wraps	1	1
1		1115373-NLA	NLA - Cabinet Cover with Tie Wraps	1	1
2		1070050	Tie Wrap (3-29/32" L)	1	1
3		1008547	Cord, Elastic	1	1
4	C	1115868	Kit, Cabinet Handle	1	1
4			Handle, Top, Warm Grey	1	1
5			NLA - Screw, Hex Head Tap (1/4-15 x 3/4")	1	2
6		1107412	Filter, Cabinet	1	1
7		1107400	Grid, Filter	1	1
8		1107414	Foam, Side Shroud	1	2
9		1107413	Foam, Front Shroud	1	1
10	E	1172003	Package, Power Cord Strap w/ Hardware	1	1
11			Strap, Hook and Loop	10	1
12			Rivet, Plastic	10	1
			Retainer, Push On	10	1
13		1110766	Door, Filter Access with Foam Gasket	1	1
14	B	1112258	Base Cabinet Assembly	1	1
15		1108816	Foam, Base	1	1
16		1104151	Fitting, Hose Barb with Nut (1/8")	1	1
17		1108211	Cap, End, Dust, Green	1	1
18		1108764	Cord, Power	1	1
19		1056249	Relief, Strain	1	1
20	D	1076830-NLA	NLA - Caster (2")	1	4
20		1110426	Caster Assembly (2")	1	4
21		2000576	Stand-Off, Twist-Lok (1/2")	1	1
22		2000360	Grommet, Plastic	1	4
23		2000508	Screw, Phillips Truss Head Self Tap (#8-32 x 5/8")	1	4
	F	1056748-NLA	NLA - Suppressor, Surge	1	1

NOTE: A - Includes Cover Cabinet and Items 2-12.
 B - Includes Base Cabinet and Items 15-21.
 C - Kit Includes Items 4-5.
 D - Item no longer available, refer to Part Number 1110426.
 E - After 6/28/07, the Hook and Loop Strap are no longer used on the Cabinet Cover Assembly. If Hook and Loop Strap is needed you must order Package Part Number 1172003 for replacement.
 F - Not Shown.

Cabinet and Base

10 Liter Models



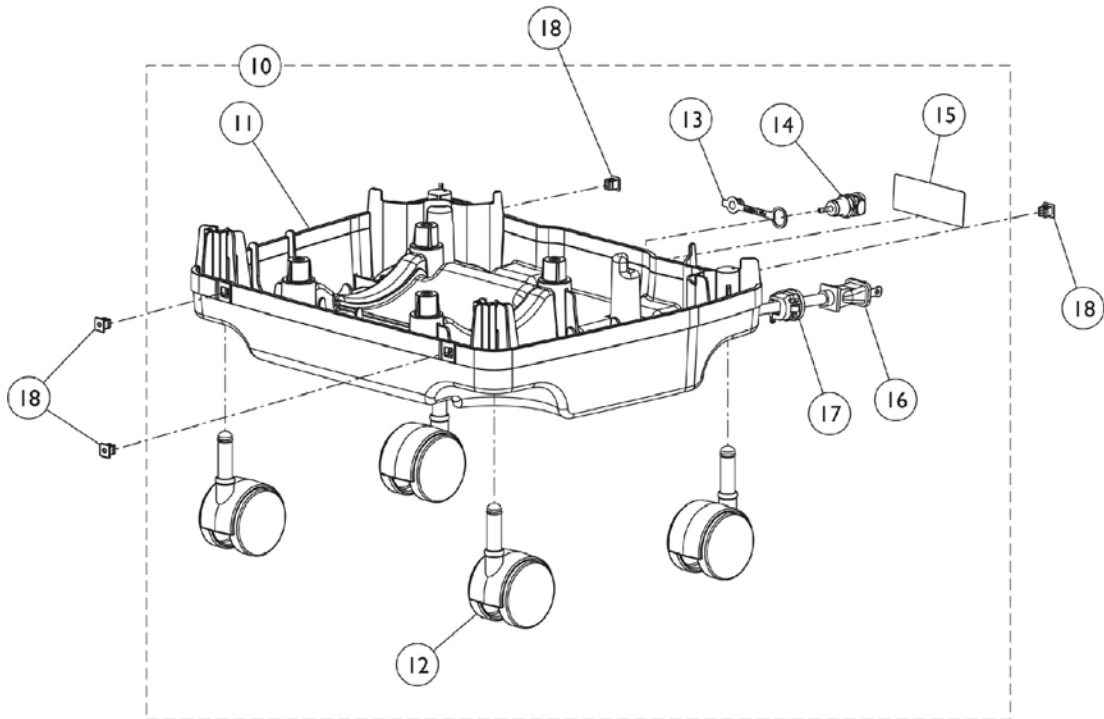
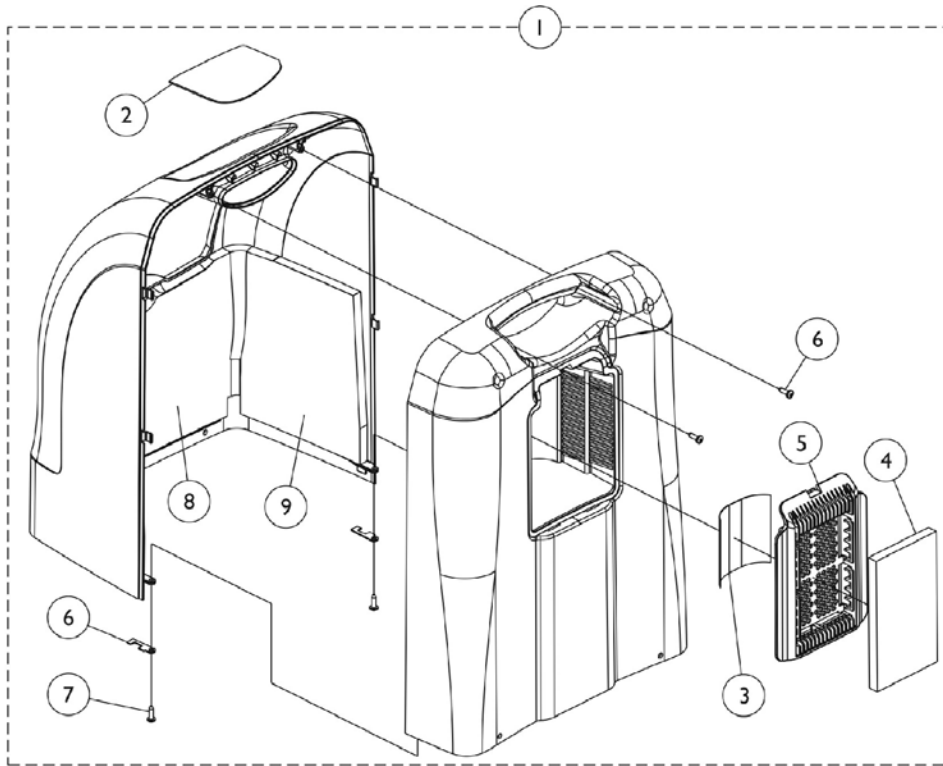
Cabinet and Base 10 Liter Models

Item Number	Note	Part Number	Description	Quantity Per	
				Package	Assembly
1	D,A	1108803	Cabinet Cover without Tie Wraps	1	1
2		1006525	Tie Wrap (3-29/32" L)	1	1
3		1008547	Cord, Elastic	1	1
	C	1115868	Kit, Cabinet Handle	1	1
4			Handle, Top, Warm Grey	1	1
5			NLA - Screw, Hex Head Tap (1/4-15 x 3/4")	1	2
6		1107412	Filter, Cabinet	1	1
7		1107400	Grid, Filter	1	1
8		1107414	Foam, Side Shroud	1	2
9		1107413	Foam, Front Shroud	1	1
10		1172003	Package, Power Cord Strap w/ Hardware	1	1
11			Strap, Hook and Loop	10	1
12			Rivet, Plastic	10	1
			Retainer, Push On	10	1
13		1110766	Door, Filter Access with Foam Gasket	1	1
14	D	1105499	Base, Domestic	1	1
15		1108816	Foam, Base	1	1
16		1104151	Fitting, Hose Barb with Nut (1/8")	1	1
17		1108211	Cap, End, Dust, Green	1	1
18		1108764	Cord, Power	1	1
19		1056249	Relief, Strain	1	1
20		1110426	Caster Assembly (2")	1	4
21		2000576	Stand-Off, Twist-Lok (1/2")	1	1
22		2000360	Grommet, Plastic	1	4
23		2000508	Screw, Phillips Truss Head Self Tap (#8-32 x 5/8")	1	4
		1056748-NLA	NLA - Suppressor, Surge	1	1

NOTE: A - Includes Cabinet Cover and Items 2-13.
C - After 6/28/07, the Hook and Loop Strap are no longer used on the Cabinet Cover Assembly. If Hook and Loop Strap is needed you must order the Package, Cord Power Strap w/ Hardware Part Number 1172003.
D - Includes Base and items 14-21.

Cabinet and Base

Perfecto2



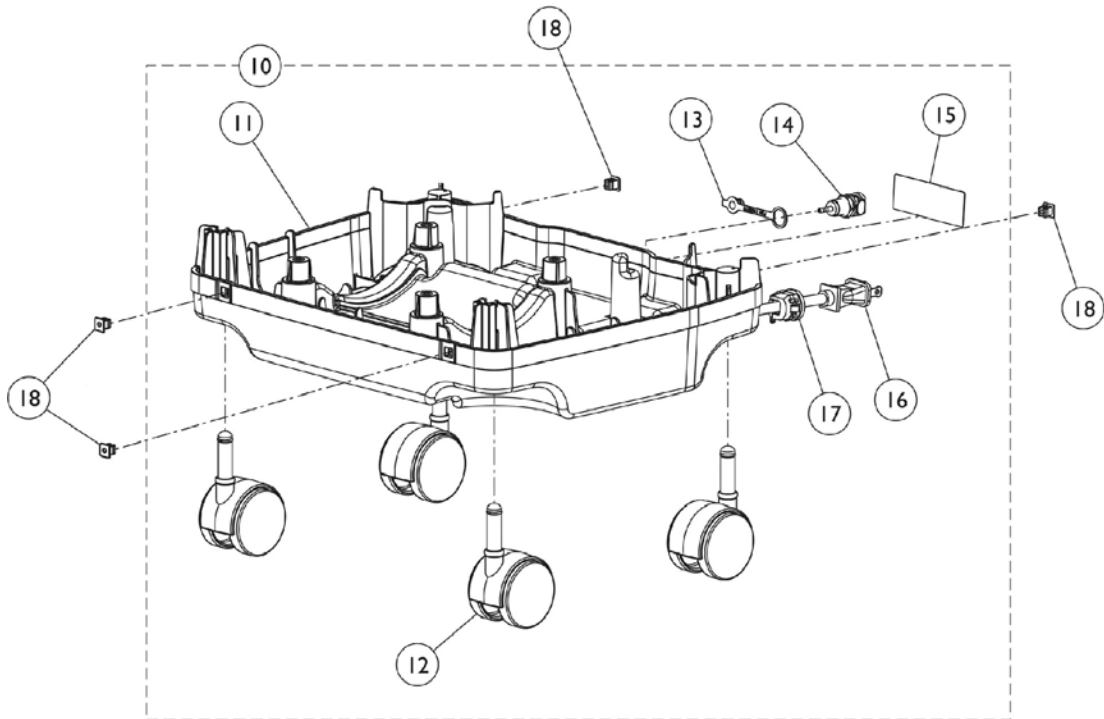
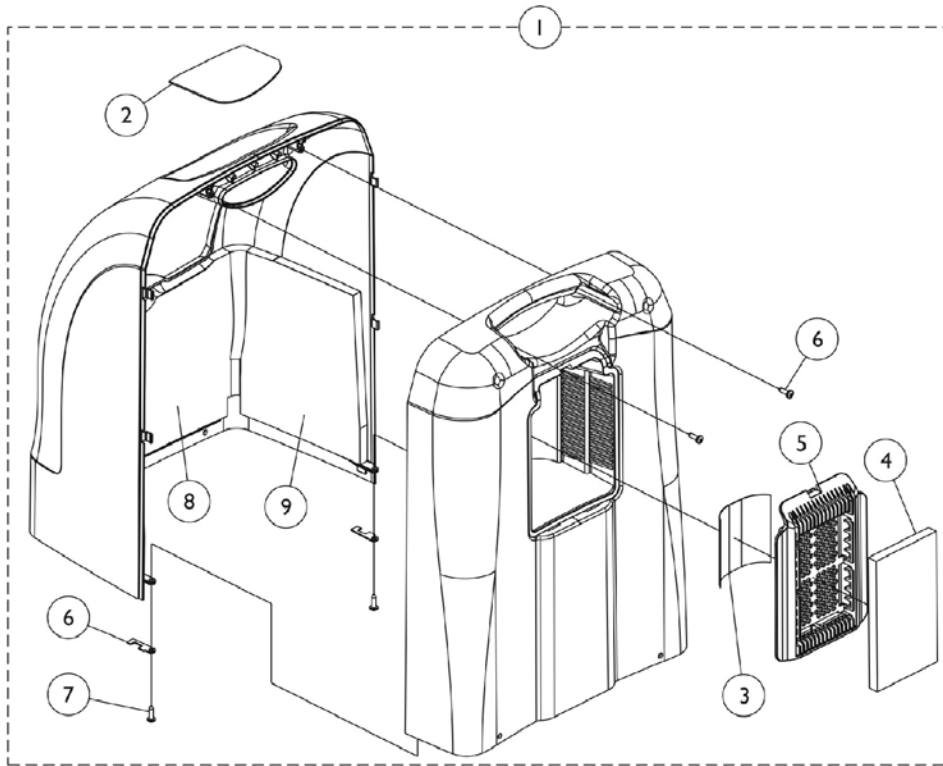
Cabinet and Base Perfecto2

Item Number	Note	Part Number	Description	Quantity Per	
				Package	Assembly
1	A	1143470	Top Shroud Assembly, Graphite	1	1
1	C,E,A	1153341	Top Shroud Assembly, Beige	1	1
2		1147920	Label, Text	1	1
3		1137267	Label, Diagnostic	1	1
4		1143492	Filter, Cabinet	1	1
5		1143432-NLA	NLA - Door, Cabinet Access, Graphite	1	1
5	D,E,G	1161831	Door, Cabinet Access, Beige	1	1
6		1143550	Clip, Retaining	1	2
7		1108810	Screw, Hi-Lo Six Lobe Drive (#10-16 x 5/8")	1	4
8		1143464	Foam, Shroud - Front	1	1
9		1143465	Foam, Shroud - Side	1	2
10	F	1163095	Base Assembly	1	1
11			Base and Baffle Assembly, Concentrator	1	1
12			Caster Assembly (2")	1	4
13			Cap, End, Dust, Green	1	1
14			Fitting, Hose Barb with Nut (1/8")	1	1
15			NLA - Label, Spec	1	1
16			Cord, Power	1	1
17			Relief, Strain	1	1
11		1168590	Base and Baffle Assembly, Concentrator	1	1
12		1110426	Caster Assembly (2")	1	4
13		1108211	Cap, End, Dust, Green	1	1
14		1104151	Fitting, Hose Barb with Nut (1/8")	1	1
15		1147921-NLA	NLA - Label, Spec	1	1
16		1143493	Cord, Power	1	1
17		1143546	Relief, Strain	1	1
18		2000360	Grommet, Plastic	1	4

NOTE: A - Includes Cabinet and Items 2 thru 9.
 C - Top Shroud Assembly color was "Graphite" before 1/16/09.
 D - Use with units "After 10/30/07."
 E - Top Shroud Assembly color is Beige "After 1/16/2009".
 F - Includes items 11 thru 17.
 G - Cabinet Access Door was revised 10/16/09 to allow the Cabinet Filter to be assembled to the outside of the Cabinet Access Door. The Cabinet Access Door is backward compatible in the field for models manufactured before 10/16/09.

Cabinet and Base

Perfecto2V

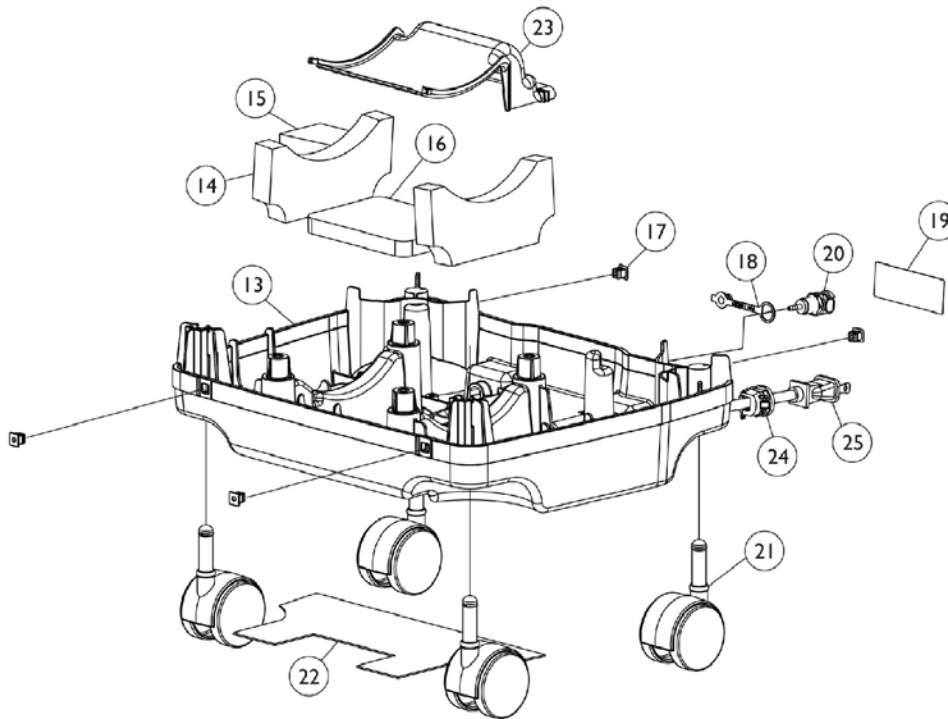
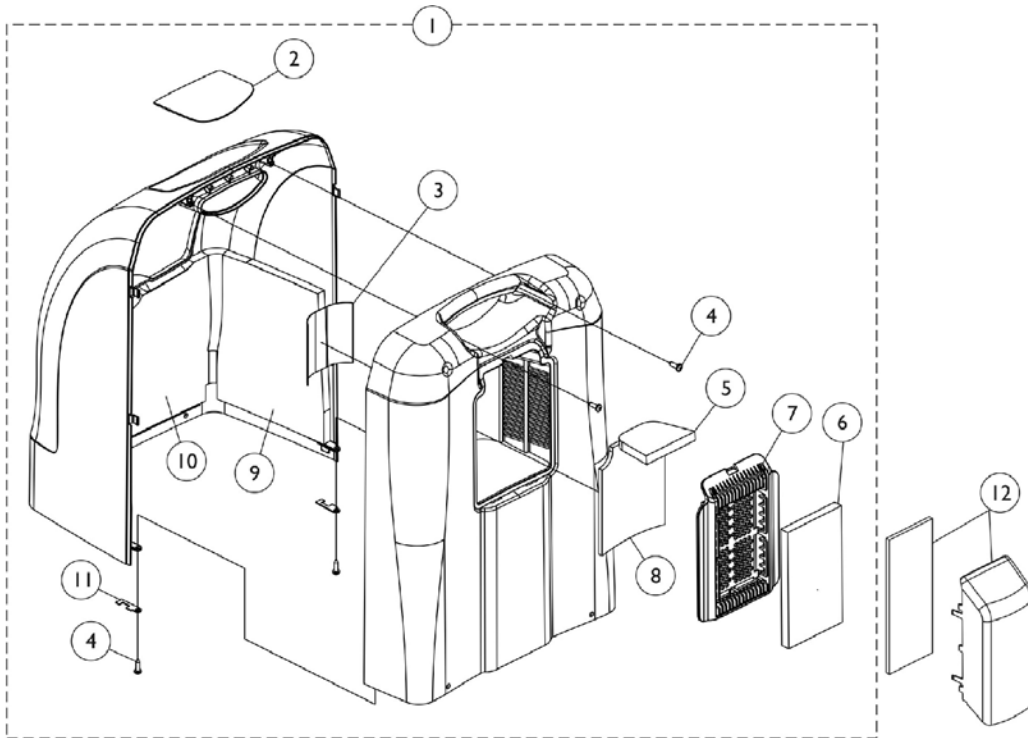


Cabinet and Base Perfecto2V

Item Number	Note	Part Number	Description	Quantity Per		
				Package	Assembly	
1	A	1165488	Top Shroud Assembly	1	1	
2		1164905	Label, Text	1	1	
3		1137267	Label, Diagnostic	1	1	
4		1143492	Filter, Cabinet	1	1	
5		1161831	Door, Cabinet Access, Beige	1	1	
6		1143550	Clip, Retaining	1	2	
7		1108810	Screw, Hi-Lo Six Lobe Drive (#10-16 x 5/8")	1	4	
8		1143464	Foam, Shroud - Front	1	1	
9		1143465	Foam, Shroud - Side	1	2	
10	B	1163095	Base Assembly	1	1	
11			Base and Baffle Assembly, Concentrator	1	1	
12			Caster Assembly (2")	1	4	
13			Cap, End, Dust, Green	1	1	
14			Fitting, Hose Barb with Nut (1/8")	1	1	
15			NLA - Label, Spec	1	1	
16			Cord, Power	1	1	
17			Relief, Strain	1	1	
11			1168950	Base and Baffle Assembly, Concentrator	1	1
12			1110426	Caster Assembly (2")	1	4
13			1108211	Cap, End, Dust, Green	1	1
14			1104151	Fitting, Hose Barb with Nut (1/8")	1	1
15			1147921-NLA	NLA - Label, Spec	1	1
16			1143493	Cord, Power	1	1
17			1143546	Relief, Strain	1	1
18			2000360	Grommet, Plastic	1	4

NOTE: A - Includes Cabinet and Items 2 thru 9.
B - Includes items 11 thru 17.

Cabinet and Base PerfectoW



Cabinet and Base PerfectoW

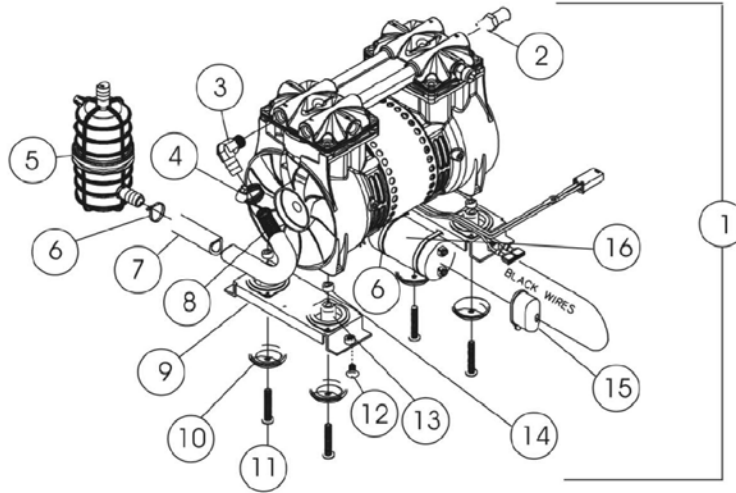
Item Number	Note	Part Number	Description	Quantity Per	
				Package	Assembly
1	A,F	1161717	Top Shroud Assembly, Beige	1	1
2		1161721	Label, Text, English - PerfectoW	1	1
3		1137267	Label, Diagnostic	1	1
4		1108810	Screw, Hi-Lo Six Lobe Drive (#10-16 x 5/8")	1	4
5		1153695	Foam, Inlet - Ceiling	1	1
6		1143492	Filter, Cabinet	1	1
7	F,G	1161831	Door, Cabinet Access, Beige	1	1
8		1153700	Foam, Inlet - Wall	1	1
9		1154029	Foam, Shroud - Side	1	2
10		1154028	Foam, Shroud - Front	1	1
11		1143550	Clip, Retaining	1	2
12	B	1156532	Inlet Air Scoop Assembly	1	1
	E	1161718	Instruction Sheet, Inlet Air Scoop Assembly	1	1
13	C,H	1143429-NLA	NLA - Base, Concentrator	1	1
13	C	1168590	Base and Baffle Assembly, Concentrator	1	1
14		1153706	Foam, Damping - Base	1	2
15		1154501	Foam, Resonator	1	1
16		1153705	Foam, Damping Outlet Base	1	1
17		2000360	Grommet, Plastic	1	4
18		1108211	Cap, End, Dust, Green	1	1
19		1147921-NLA	NLA - Label, Spec	1	1
20		1104151	Fitting, Hose Barb with Nut (1/8")	1	1
21		1110426	Caster Assembly (2")	1	4
22		1153704	Damper, Sound Base	1	1
23		1143444-NLA	NLA - Baffle, Exhaust	1	1
24		1143546	Relief, Strain	1	1
25		1143493	Cord, Power	1	1

NOTE: A - Includes Cabinet and Items 2-11.
 B - Includes Inlet Foam and Scoop. When ordering item 12, order instruction sheet part number 1161718 also.
 C - Includes Base Only.
 E - Not Shown.
 F - Changed Top Shroud Assembly Color back to Beige. After 1/16/2009.
 G - Cabinet Access Door was revised 10/16/09 to allow the Cabinet Filter to be assembled to the outside of the Cabinet Access Door. The Cabinet Access Door is backward compatible in the field for models manufactured before 10/16/09.
 H - No longer available. use 1168590 as the replacement.

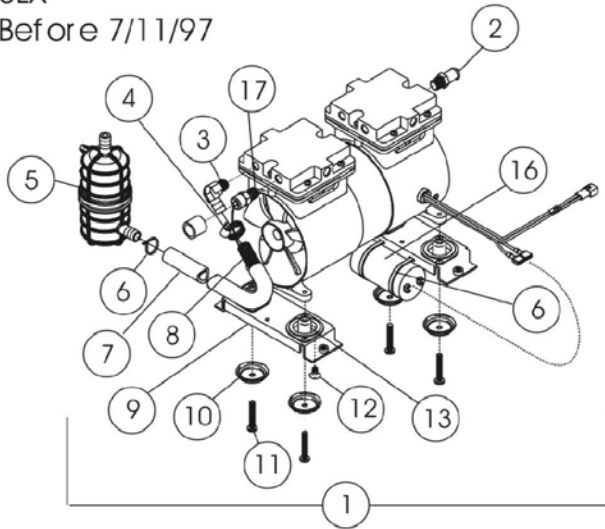
Compressor and Mounting Hardware

All Models Except Platinum 5

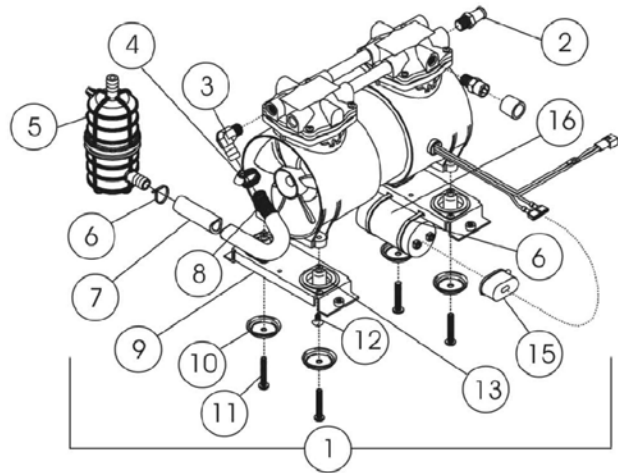
3LX - After 7/10/97
 5LX - After 4/21/97
 6LX



3LX
 Before 7/11/97



5LX
 Before 4/22/97



Compressor and Mounting Hardware All Models Except Platinum 5

Item Number	Note	Part Number	Description	Quantity Per	
				Package	Assembly
1	J	See Note	See Footnote	1	1
1		1075071	Compressor Assembly - 6LX, 6LX02	1	1
1		1075071E	WARR RPLMT - Compressor Assembly (6LX, 6LX02)	1	1
	A,F	2000894	Kit, Compressor Rebuild	1	1
			Kit, Rebuild	1	1
			Instruction Sheet	1	1
		1157138	Kit, Compressor Complete Assembly - Thomas	1	1
			Compressor with Mounting Hardware - Thomas	1	1
			Kit, Compressor Restraint Bracket (Thomas)	1	1
			Capacitor, 15 MFD	1	1
			Tie Wrap (8" L)	2	1
		1106690E	WARR RPLMT - Compressor Assembly - Thomas (5LX Plat.)	1	1
	A,G,I	1109235-NLA	Kit, Rebuild for Thomas Compressors	1	1
			Kit, Rebuild	1	1
			NLA - Instruction Sheet	1	1
	A,G	1154510	Kit, Compressor Rebuild w/ Trigon Seals & Instruction Sheet - IRC5LX/IRC5LX02 (Thomas)	1	1
			Kit, Compressor Rebuild w/ Trigon Seals - IRC5LX/IRC5LX02 Thomas	1	1
			Instruction Sheet, Thomas Rebuild 2660-2650	1	1
	A,H	2000904-NLA	NLA - Kit, Compressor Rebuild	1	1
			NLA - Kit, Rebuild	1	1
			NLA - Instruction Sheet	1	1
2		1086187	Hose, Barbed, Patch Lock (1/2 x 1/4" NPT)	1	1
3	B	2001374	Fitting, Resonator	1	1
3	C	1108819	Fitting, Elbow (1/2" Beaded Hose x 1/4" NPT)	1	1
4		P0876X026	Clamp, Hose	1	1
5	B	1095537	Kit, Resonator Retro-Fit	1	1
			Resonator	1	1
			Screw, Phillips Pan Head (#10-16 x 1/2")	1	2
			NLA - Tubing, Silicon (1/2 x 5")	1	1
			Tube, Braided (10 x 1/2")	1	1
			Spring, Extension (7/16 x 9-3/4" L)	1	1
			Screw, Socket Button Head (1/4-20 x 3/8")	1	1
			Bracket, Mounting	1	1
			Clip, Flange	1	1
			Fitting, Elbow (1/2" Beaded Hose x 1/4" NPT)	1	1
			Tie Wrap (8" L)	1	1
			Instruction Sheet	1	1
5	C	1085873	Resonator	1	1
6		2001682	Tie Wrap (8" L)	1	3
7		2002264	Tubing, Reinforced Braided (1/2 x 26")	1	1

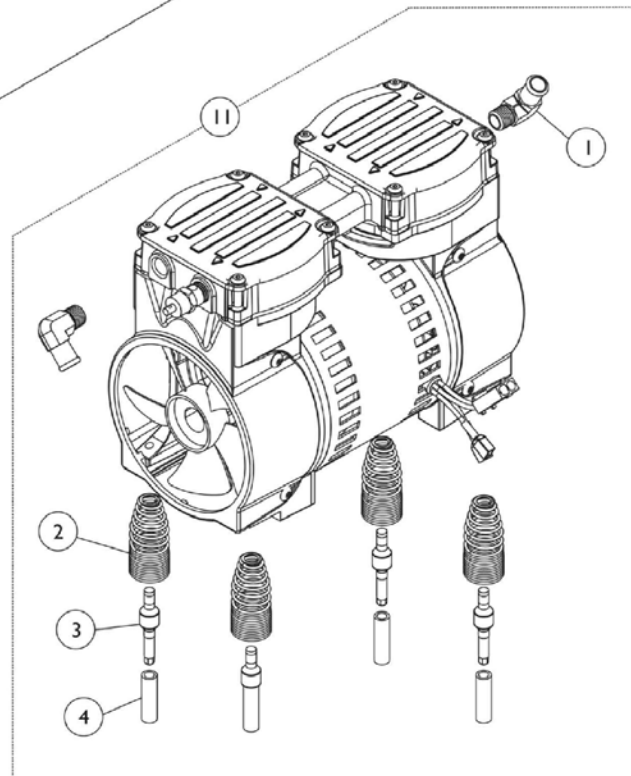
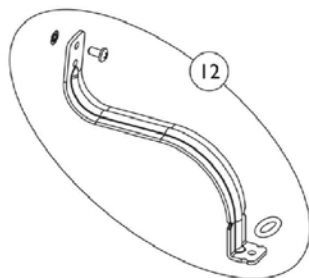
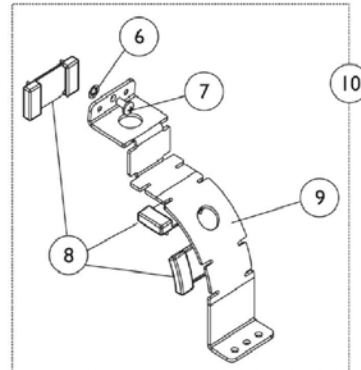
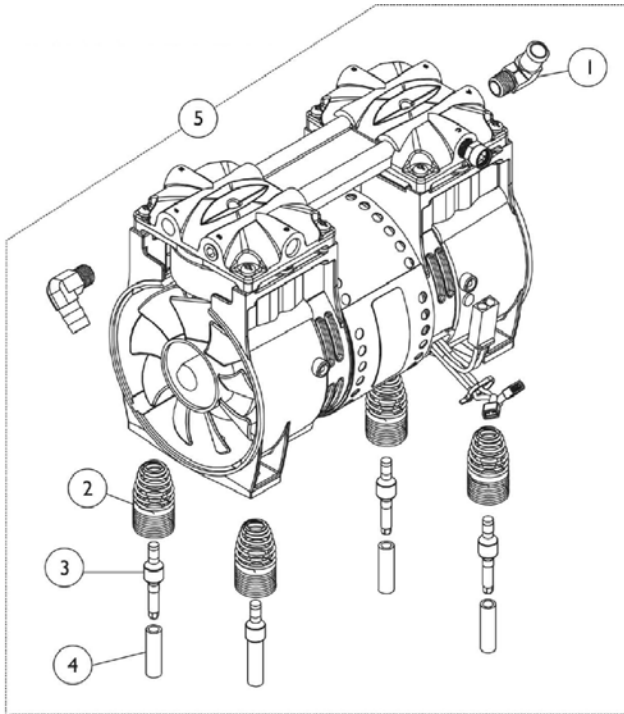
Compressor and Mounting Hardware All Models Except Platinum 5

Item Number	Note	Part Number	Description	Quantity Per	
				Package	Assembly
8		1088316	Spring, Extension (7/16 x 9-3/4" L)	1	1
9		2000888	Mounting Bracket Assembly	1	2
10		2000876	Washer, Cup	1	4
11		1105418	Screw, Phillips Pan Head (1/4-20 x 1-1/2")	1	4
12		1085696	NLA - Screw, Phillips Truss Head (1/4-20 x 1/2")	1	4
13		P0875X510	Mount, Diamond	1	4
14		2002906	Spacer (1/4 x 1/2 x 7/32")	1	4
15		P0875X560	Boot, Terminal	1	1
	D	2003019-NLA	NLA - Kit, Capacitor 15 MFD	1	1
			Capacitor, 15 MFD	1	1
			Clamp, Cap	1	1
			Screw, Phillips Pan Head (8-32 x 1/2")	1	1
			Washer, Flat (#8)	1	1
			Nut, Keps (#6-32)	1	1
			Boot, Terminal	1	1
			Tie Wrap (3-29/32" L)	1	1
			NLA - Screw, Phillips Hex Washer Head (#8-32 x 3/8")	1	1
			Tie Wrap (8" L)	1	2
16	E	2000770-NLA	NLA - Capacitor - MFD3LX	1	1
17	B	1085697	Relief Valve w/ Patch Lock, 35 PSIG	1	1

NOTE: A - Not Shown.
 B - Before 7/00.
 C - After 6/00.
 D - Use with IRC5LX/ IRC6LX After 1/97 and IRC3LX After 6/97.
 E - Use with IRC5LX/ IRC6LX Before 2/97 and IRC3LX Before 7/97.
 F - Rebuild Kit is for Thomas Compressor Model #2618 and #2638. Compressor Model numbers are required when ordering the Rebuild Kit.
 G - Rebuild Kit is for Thomas Compressor Model #2650 and #2660. Compressor Model numbers are required when ordering the Rebuild Kit.
 H - Rebuild Kit is for Thomas Compressor Model #2619 and #2639. Compressor Model numbers are required when ordering the Rebuild Kit.
 I - Part #1109235 is No Longer Available. Order part #1154510 as a replacement kit.
 J - No longer available as a service part in the field.

Compressor and Mounting Hardware Platinum 5 Models

NOTE: Compressors are interchangeable. However, Capacitor and Bracket Restraint must also be replaced at the same time.



Compressor and Mounting Hardware

Platinum 5 Models

NOTE: Compressors are interchangeable. However, Capacitor and Bracket Restraint must also be replaced at the same time.

Item Number	Note	Part Number	Description	Quantity Per	
				Package	Assembly
1		1108819	Fitting, Elbow (1/2" Beaded Hose x 1/4" NPT)	1	2
2		1105504-NLA	NLA - Spring, Compressor Mount	1	4
2		1150581	Spring, Compressor Mount	1	4
3		1106446-NLA	NLA - Pin, Spring Retainer	1	4
3		1150580	Pin, Spring Retainer	1	4
4		1107411	Glide, Pin	1	4
5	E	1157138	Kit, Compressor Complete Assembly - Thomas	1	1
10			Kit, Compressor Restraint Bracket (Thomas)	1	1
			Compressor with Mounting Hardware - Thomas	1	1
			Capacitor, 15 MFD	1	1
			Tie Wrap (8" L)	2	1
5	F	1106690E	WARR RPLMT - Compressor Assembly - Thomas (5LX Plat.)	1	1
	A,F,J	1154510	Kit, Compressor Rebuild w/ Trigon Seals & Instruction Sheet - IRC5LX/IRC5LXO2 (Thomas)	1	1
			Kit, Compressor Rebuild w/ Trigon Seals - IRC5LX/IRC5LXO2 Thomas	1	1
			Instruction Sheet, Thomas Rebuild 2660-2650	1	1
	A,C	1068698	Capacitor, 15 MFD	1	1
	A	2001682	Tie Wrap (8" L)	1	2
6		1108740	Retainer, Push (1/4")	1	1
7		1085696-NLA	NLA - Screw, Phillips Truss Head (1/4-20 x 1/2")	1	1
7		1128406-NLA	NLA - Screw, Phillips Hex Washer Head w/ Patch (1/4-20 x 3/4")	1	1
8		1108824	Bumper, Bracket	1	3
9	C	1107406-NLA	NLA - Bracket, Restraint (Thomas)	1	1
10	C	1108092	Kit, Compressor Restraint Bracket (Thomas)	1	1
11	I	1125371-NLA	NLA - Compressor with Mounting Hardware - Gast	1	1
11	G	1125371E	Compressor Assembly, Warranty Replacement - Gast (5LX Plat.)	1	1
	A,B	1124028	Kit, Rebuild for Gast Compressors	1	1
			Kit, Rebuild	1	1
			Instruction Sheet - Compressor Rebuild	1	1
	A,D,H	1131250	Kit, Capacitor Replacement 10 MFD	1	1
12	D	1121244	Kit, Compressor Restraint Bracket (Gast)	1	1

Compressor and Mounting Hardware

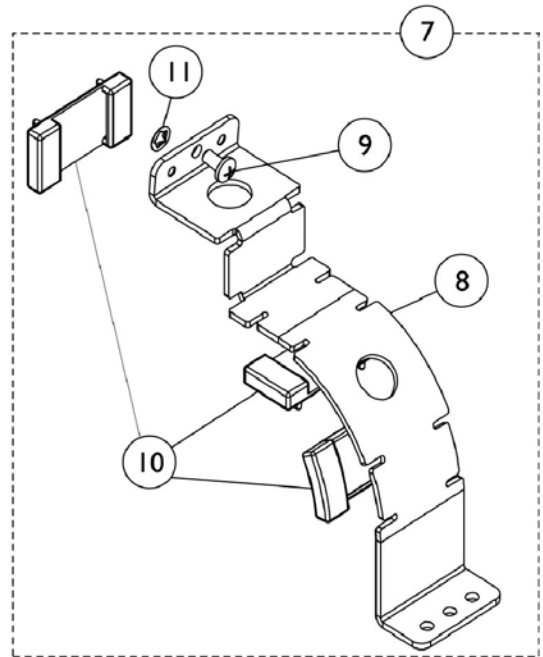
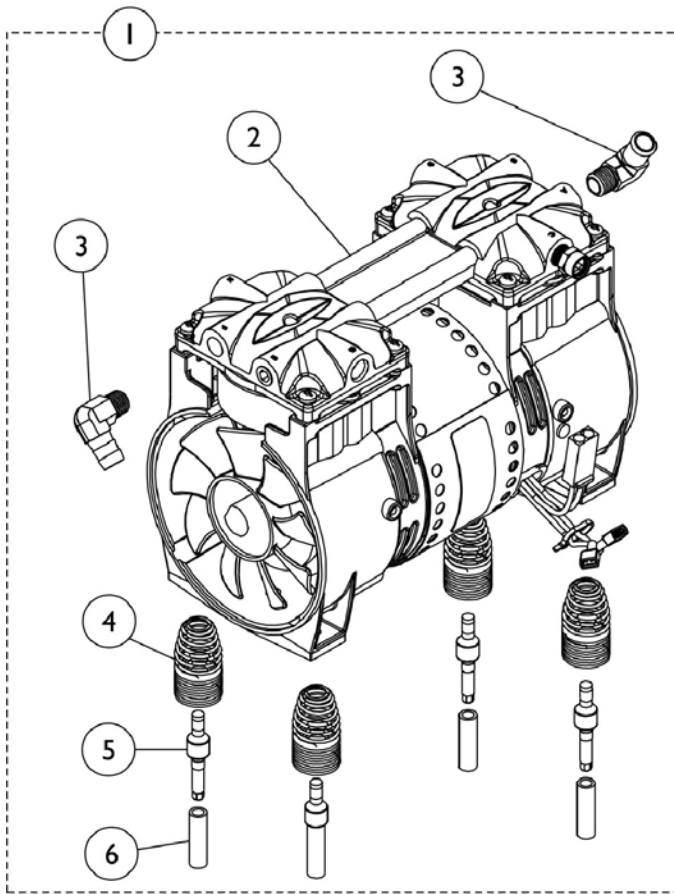
Platinum 5 Models

NOTE: Compressors are interchangeable. However, Capacitor and Bracket Restraint must also be replaced at the same time.

- NOTE:
- A - Not Shown.
 - B - Includes: Instruction Sheet, (2) Head O-Rings, (4) Leaf Valves, (4) Self Tapping Screws, (4) Retainer Screws and (2) Piston Cups.
 - C - Must use with Thomas Compressors.
 - D - Must use with Gast Compressors.
 - E - For use in converting from Gast Compressors to Thomas Compressors.
 - F - When replacing or servicing a compressor, the capacitor and (2) tie wraps must also be replaced, reference part #1068698 and #2001682.
 - G - When replacing or servicing a compressor, the capacitor must also be replaced, reference part #1131250.
 - H - Includes: (1) Capacitor, 10MFD and (2) Tie Wraps.
 - I - Item no longer available, refer to Kit Part # 1157138 as a replacement.
 - J - Kit includes Retainer Plates and Trigon Seals to enable rebuilding of both Trigon and pre-Trigon configurations.

Compressor and Mounting Hardware

10 Liter Models

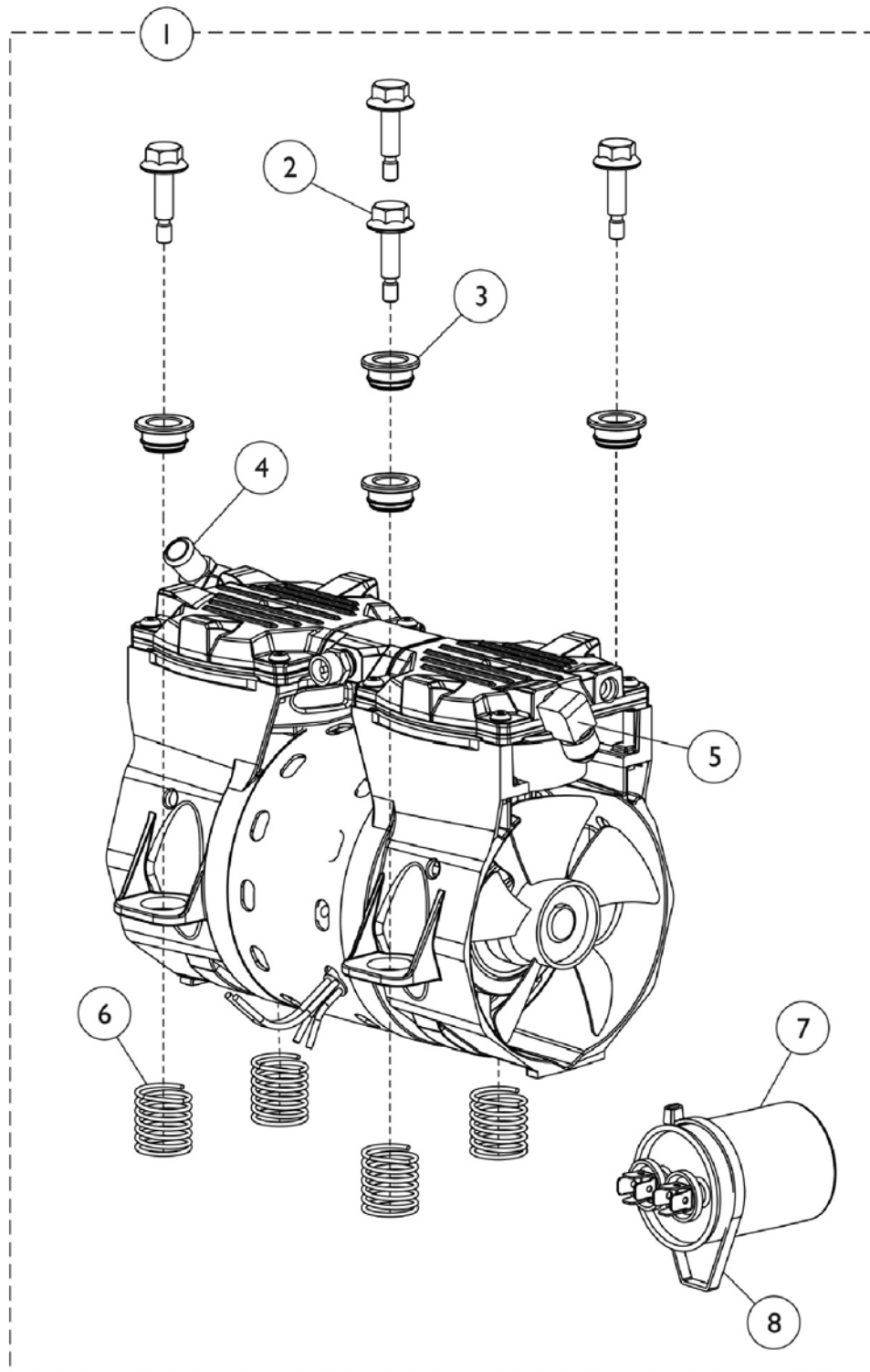


Compressor and Mounting Hardware 10 Liter Models

Item Number	Note	Part Number	Description	Quantity Per	
				Package	Assembly
1	B	1130666	Compressor Assembly - 10LX/ 10LXO2	1	1
1		1130666E	WARR RPLMT - Compressor Assembly - 10LX/ 10LXO2	1	1
1	C	1153687	Kit, Compressor Rebuild w/ Instruction Sheet	1	1
			Compressor Rebuild Assembly - Thomas	1	1
			Instruction Sheet, Rebuild	1	1
	D	1128740	Capacitor, 30 MFD	1	1
	D	1089455	Tie Wrap (15-1/4" L)	1	2
2		1128741	Compressor - 10LX/10LXO2	1	1
2		1128741E-NLA	NLA - WARR RPLMT - Compressor - 10LX/10LXO2	1	1
3		1108819	Fitting, Elbow (1/2" Beaded Hose x 1/4" NPT)	1	2
4		1105504-NLA	NLA - Spring, Compressor Mount	1	4
4		1150581	Spring, Compressor Mount	1	4
5		1106446-NLA	NLA - Pin, Spring Retainer	1	4
5		1150580	Pin, Spring Retainer	1	4
6		1107411	Glide, Pin	1	4
7	A	1108092	Kit, Compressor Restraint Bracket (Thomas)	1	1
8		1107406-NLA	NLA - Bracket, Restraint (Thomas)	1	1
9		1128406-NLA	NLA - Screw, Phillips Hex Washer Head w/ Patch (1/4-20 x 3/4")	1	1
10		1108824	Bumper, Bracket	1	3
11		1108740	Retainer, Push (1/4")	1	1

NOTE: A - Includes Bracket, Screw, Push Retainer and Bumper.
 B - Includes Items 2-6.
 C - When replacing or servicing a compressor, the capacitor part #1128740 and (2) Tie Wraps part #1089455 must also be replaced.
 D - Not Shown.

Compressor and Mounting Hardware Perfecto2/PerfectoW

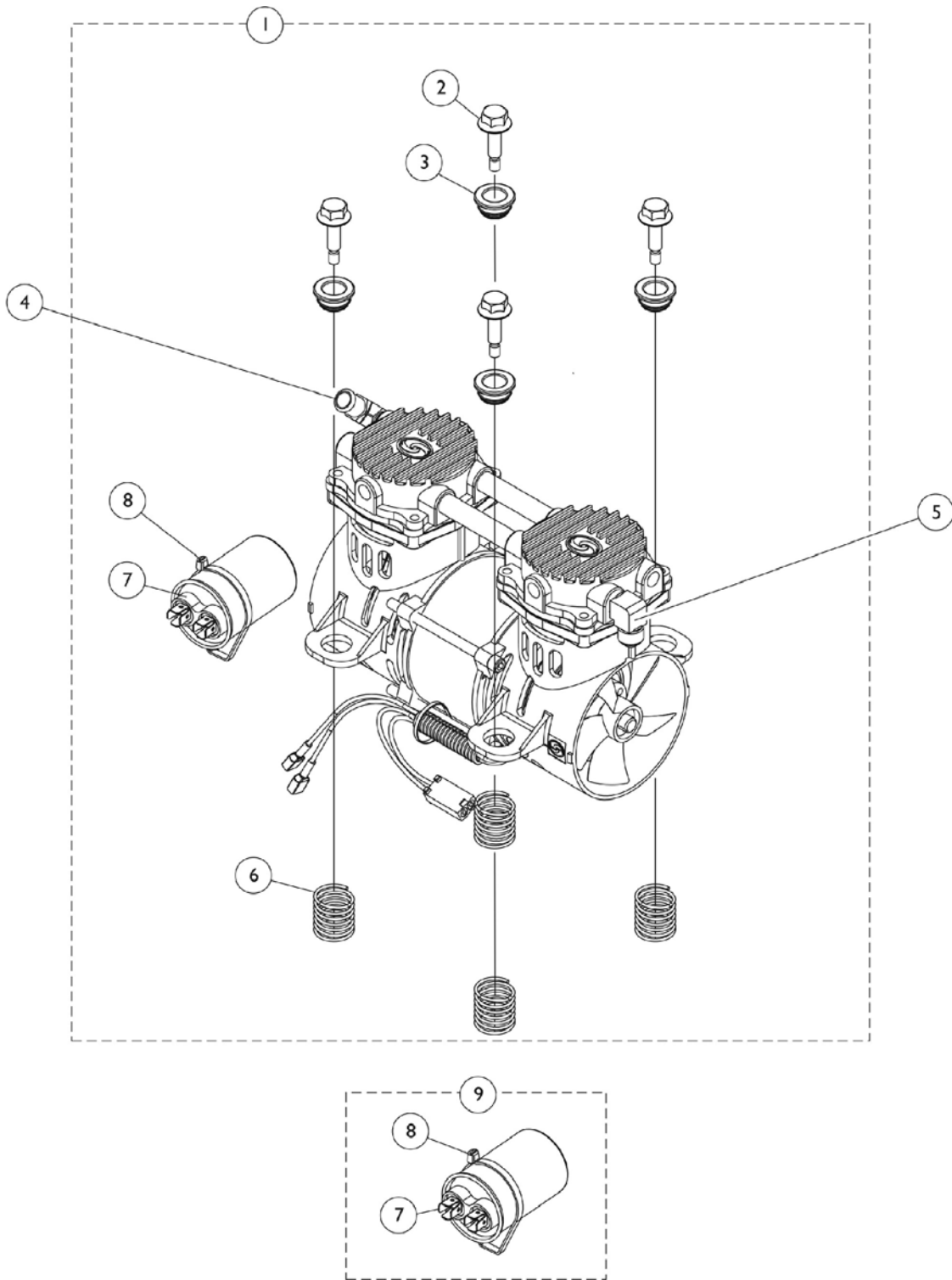


Compressor and Mounting Hardware Perfecto2/PerfectoW

Item Number	Note	Part Number	Description	Quantity Per	
				Package	Assembly
1	A,D	1162038	Kit, Compressor with Hardware - PW/PO2W	1	1
			Compressor - P2/ PO2/PW/P02W	1	1
2			Screw, Hex Head Flange (1/4-20 x 7/8")	1	4
3			Bushing, Mounting	1	4
4			Fitting, Elbow (1/2" Beaded Hose x 1/4" NPT)	1	1
5			Elbow, Male Flare	1	1
6			Spring, Compression (63/64 x 1-1/4 x 1/16")	1	4
7			Capacitor, 10 MFD	1	1
8			Tie Wrap (17-1/2" L)	1	1
1	A	1162038E	WARR RPLMT - Kit, Compressor w/ Hardware, PW/PO2W	1	1
			NLA - WARR RPLMT - Compressor, P2/PO2/PW/PO2W	1	1
2			Screw, Hex Head Flange (1/4-20 x 7/8")	1	4
3			Bushing, Mounting	1	4
4			Fitting, Elbow (1/2" Beaded Hose x 1/4" NPT)	1	1
5			Elbow, Male Flare	1	1
6			Spring, Compression (63/64 x 1-1/4 x 1/16")	1	4
7			Capacitor, 10 MFD	1	1
8			Tie Wrap (17-1/2" L)	1	1
2		1143461	Screw, Hex Head Flange (1/4-20 x 7/8")	1	4
3		1143462	Bushing, Mounting	1	4
4		1108819	Fitting, Elbow (1/2" Beaded Hose x 1/4" NPT)	1	1
5	E	1169408-NLA	NLA - Fitting, Elbow Swivel (1/4 NPT x 3/8 Tube)	1	1
5		1143489	Elbow, Male Flare	1	1
6		1143460	Spring, Compression (63/64 x 1-1/4 x 1/16")	1	4
7	B	1131250	Kit, Capacitor Replacement 10 MFD	1	1
8		1018239	Tie Wrap (17-1/2" L)	1	1
	C	1153688	Kit, Compressor Rebuild w/ Instruction Sheet	1	1
			Compressor Rebuild - Thomas	1	1
			Instruction Sheet, Thomas Rebuild 2660-2650	1	1

NOTE: A - Kit includes the Compressor and items 2 thru 8.
 B - Includes 10MFD Capacitor and (2) Tie Wraps.
 C - When replacing or servicing a compressor, Part Number 1131250 must also be replaced.
 D - When ordering a replacement compressor, you should order 1143557 Heat Exchanger when replacing a unit manufactured between 5/17/11 and 7/20/11.
 E - No longer available, use 1143489 as its replacement.

Compressor and Mounting Hardware Perfecto2V



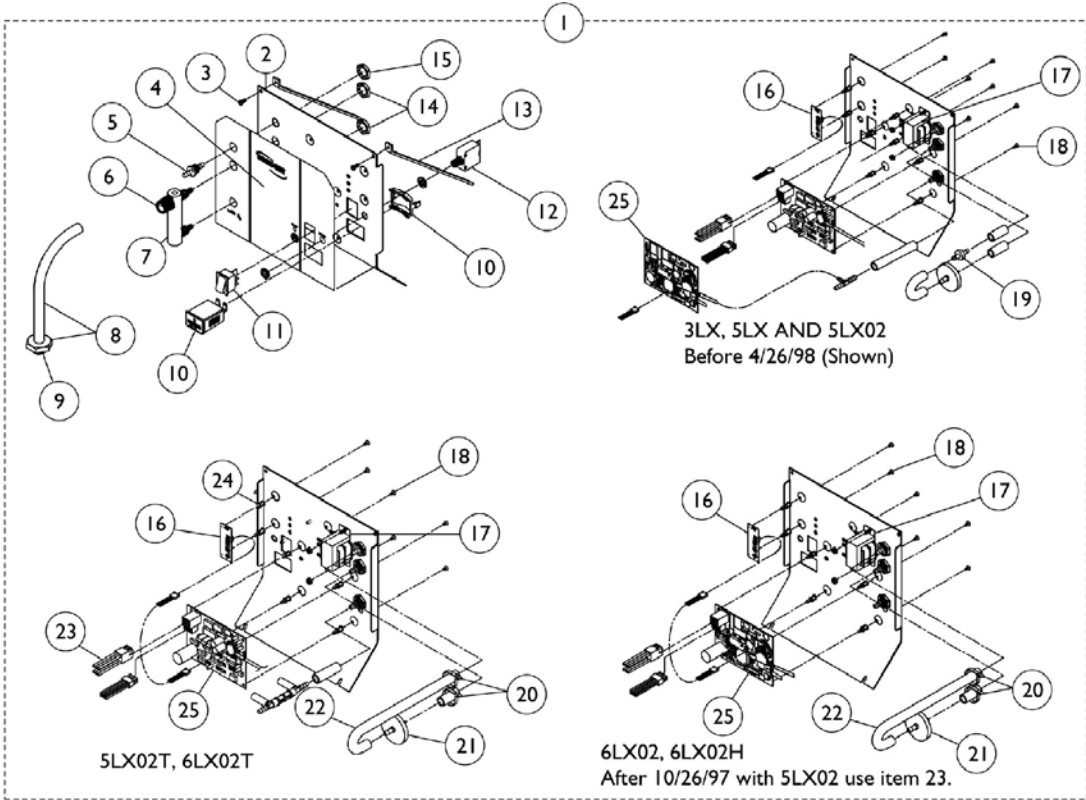
Compressor and Mounting Hardware Perfecto2V

Item Number	Note	Part Number	Description	Quantity Per	
				Package	Assembly
1	A,D	1165097	Kit, Compressor with Hardware - PO2V	1	1
			Compressor - PO2V	1	1
2			Screw, Hex Head Flange (1/4-20 x 7/8")	1	4
3			Bushing, Mounting	1	4
4			Fitting, Elbow (1/2" Beaded Hose x 1/4" NPT)	1	1
5			Elbow, Male Flare	1	1
6			Spring, Compression (63/64 x 1-1/4 x 1/16")	1	4
7			Capacitor, 22MFD	1	1
8			Tie Wrap (17-1/2" L)	1	1
2		1143461	Screw, Hex Head Flange (1/4-20 x 7/8")	1	4
3		1143462	Bushing, Mounting	1	4
4		1108819	Fitting, Elbow (1/2" Beaded Hose x 1/4" NPT)	1	1
5	E	1169408-NLA	NLA - Fitting, Elbow Swivel (1/4 NPT x 3/8 Tube)	1	1
5		1143489	Elbow, Male Flare	1	1
6		1143460	Spring, Compression (63/64 x 1-1/4 x 1/16")	1	4
	C	1167620	Kit, Compressor Rebuild, PO2V	1	1
9	B	1165098	Kit, Capacitor Replacement, 22MFD	1	1
7			Capacitor, 22MFD	1	1
8			Tie Wrap (17-1/2" L)	1	1

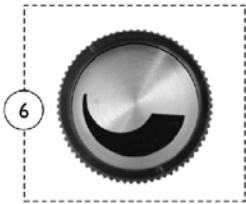
NOTE: A - Kit includes the Compressor and items 2-8
 B - Kit includes items 7 and 8
 C - Not Shown. Kit includes (2) ea. Cylinders, (2) ea. Seal Cups, (4) ea. Reed Valves, (4) ea. O-Rings, (12) ea. Head Mounting Screws, (4) ea. Valve Flapper Screws, (4) Washers and Instruction Sheet
 D - When ordering a replacement compressor, you should order 1143557 Heat Exchanger, when replacing a unit manufactured between 5/17/11 and 7/20/11.
 E - No longer available. Use 1143489 as its replacement.

Control Panel and P.C. Board

(All Models Except Platinum 5)
Before 12/15/00

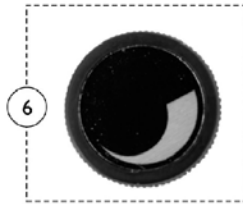


1128379



Used with Flowmeters that have an Indented Phillips Head Screw on top.

1128380



Used with Flowmeters that have a Slotted Head Screw on top.

Control Panel and P.C. Board (All Models Except Platinum 5) Before 12/15/00

Item Number	Note	Part Number	Description	Quantity Per	
				Package	Assembly
1		1101585-NLA	NLA - Control Panel Assembly - IRC3LX	1	1
1		1101584	Control Panel Assembly - IRC5LX	1	1
1		1101583	Control Panel Assembly - IRC5LX02	1	1
1		1073754-NLA	NLA - Control Panel Assembly - IRC5LX02T	1	1
1		1101582	Control Panel Assembly - IRC6LX02/ IRC6LX02H	1	1
1		1073752	Control Panel Assembly - IRC6LX02T	1	1
2		2001769-NLA	NLA - Panel, Control	1	1
3		40120X001	Screw, Phillips Pan Head (#8-32 x 3/8")	1	2
4		1080809-NLA	Label, Control Panel, English - IRC3LX	1	1
4		2002356	Label, Control Panel, English - IRC5LX	1	1
4		2002355	Label, Control Panel, English - IRC5LX02, 5LX02T	1	1
4		1074670	Label, Control Panel, English - IRC6LX02, 6LX02T, 6LX02H	1	1
4		1079329	Label, Control Panel, French Canadian - IRC5LX	1	1
4		1079330	Label, Control Panel, French Canadian - IRC5LX02	1	1
4		1079331	Label, Control Panel, French Canadian - IRC6LX02	1	1
4		1079324	Label, Control Panel, Spanish - IRC5LX	1	1
4		1079325	Label, Control Panel, Spanish - IRC5LX02	1	1
4		1079326	Label, Control Panel, Spanish - IRC6LX02	1	1
5		2000473	Connector, Barbed (1/4")	1	1
6		2001086-NLA	NLA - Knob, Flowmeter	1	1
6	I	1128379	Package, Knob, Flowmeter, Silver w/ Black Swish	10	1
6	J	1128380	Package, Knob, Flowmeter, Black w/ Silver Swish	10	1
7		2001989	Flowmeter with Palnuts - 3 Liter	1	1
7	H	2001773-NLA	NLA - Flowmeter with Palnuts - 5 Liter	1	1
7	G	1110561	Flowmeter without Palnuts - 5 Liter	1	1
7		1074672	Flowmeter with Palnuts - 6 Liter	1	1
8		2000799	Adapter with Tubing for Humidifier Bottle	1	1
9		2000503	Adapter, Humidifier Bottle	1	1
10		1098707	Hour Meter Assembly with Clip	1	1
11		2001134	Switch, On/Off	1	1
12		1056554	Circuit Breaker (8 AMP)	1	1
13		2000464-NLA	NLA - Support, Control Panel	1	2
14		2002674	Palnut (3/8-27)	1	1
15		2000507	Palnut (9/16-18)	1	2
16		1061773	Remote LED Assembly, Sens O2 - IRC5LX02	1	1
17	B	2001696-NLA	NLA - Transformer Assembly	1	1
17	C	1085200	Transformer Assembly	1	1
18		1028794	Screw, Phillips Truss Head Tap (#6 x 1/4")	1	6
19		2000460	Valve, Check	1	2
20		2001682	Tie Wrap (8" L)	1	2
21		P0750X030	Filter, HEPA Outlet	1	1

Control Panel and P.C. Board (All Models Except Platinum 5) Before 12/15/00

Item Number	Note	Part Number	Description	Quantity Per	
				Package	Assembly
22		2000897	Tubing, Tygon (1/4 x 24")	1	1
23	D	2001834-NLA	NLA - Harness, Wire IRC5LX	1	1
23	D	2001762	Harness, Wire-Sensor - IRC5LX02	1	1
23	E	2003085	Harness, Wire, (All LX Models)	1	1
24		1036162	Stand-Off, P.C. Board	1	6
25	F	See Chart	# 25 P.C. Boards	1	1
	A	2001321-NLA	NLA - T-Fitting	1	1

NOTE: A - Not Shown.
 B - Before 11/97.
 C - After 10/97.
 D - Before 5/97.
 E - After 4/97.
 F - See P.C. Board Chart.
 G - Palnuts are no longer included, must be ordered separately. Requires (2) Palnuts - #2000507.
 H - Item no longer available, refer to Part #1110561.
 I - Knob is silver with black "swish". Used on Flowmeters with a Phillips Head Indented Screw on top.
 J - Knob is black with silver "swish". Used on Flowmeters with a Slotted Head Screw on top.

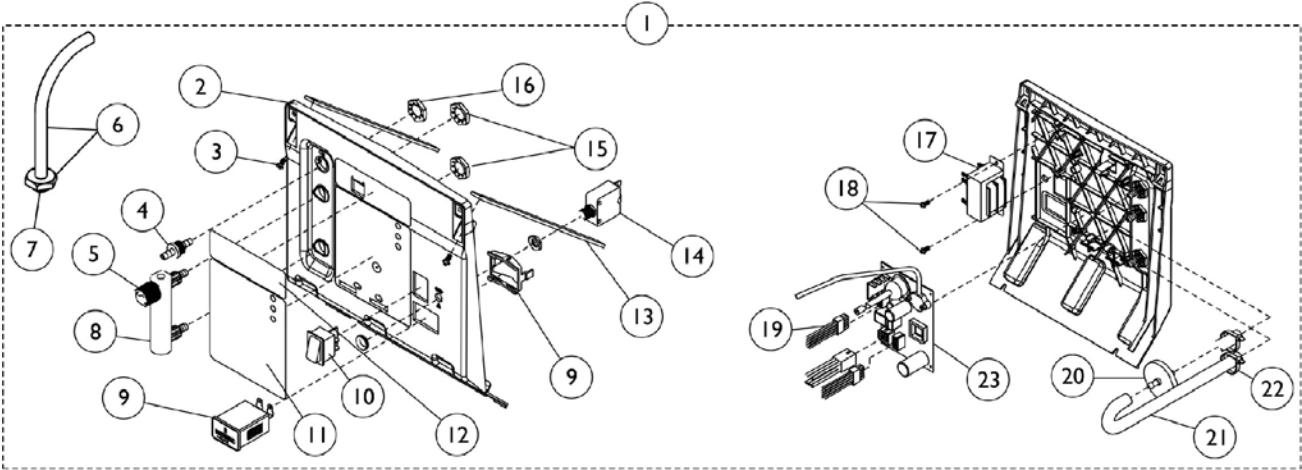
#25 P.C. Boards

Model	P.C. Board	Reconditioned P.C. Board
IRC3LX	1078183-NLA	1078183E
IRC5LX	1078183-NLA	1078183E
IRC5LX02 Before 7/98	1078181-NLA	1078181E-NLA
IRC5LX02 After 6/98	1113693	1113693E-NLA
IRC5LX02T	1079444-NLA	N/A
IRC6LX02 Before 7/98	1078181-NLA	1078181E-NLA
IRC6LX02 After 6/98	1113693	1113693E-NLA
IRC6LX02T	1079444-NLA	N/A

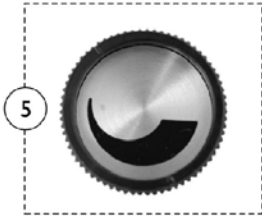
All P.C. Boards include an Instruction Sheet.

Control Panel and P.C. Board

(All Models Except Platinum 5)
After 12/14/00

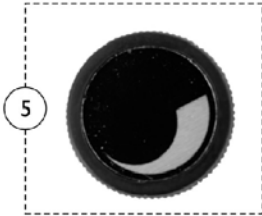


1128379



Used with Flowmeters that have an Indented Phillips Head Screw on top.

1128380



Used with Flowmeters that have a Slotted Head Screw on top.

Control Panel and P.C. Board (All Models Except Platinum 5) After 12/14/00

Item Number	Note	Part Number	Description	Quantity Per	
				Package	Assembly
1		1101585-NLA	NLA - Control Panel Assembly - IRC3LX	1	1
1		1101584	Control Panel Assembly - IRC5LX	1	1
1		1101583	Control Panel Assembly - IRC5LX02	1	1
1		1101582	Control Panel Assembly - IRC6LX02/ IRC6LX02H	1	1
2		1081276	Control Panel Only	1	1
3		2003065	NLA - Screw, Phillips Hex Washer Head (#8-32 x 3/8")	1	2
4		2000473	Connector, Barbed (1/4")	1	1
5		2001086-NLA	NLA - Knob, Flowmeter	1	1
5	D	1128379	Package, Knob, Flowmeter, Silver w/ Black Swish	10	1
5	E	1128380	Package, Knob, Flowmeter, Black w/ Silver Swish	10	1
6		2000799	Adapter with Tubing for Humidifier Bottle	1	1
7		2000503	Adapter, Humidifier Bottle	1	1
8		2001989	Flowmeter with Palnuts - 3 Liter	1	1
8	C	2001773-NLA	NLA - Flowmeter with Palnuts - 5 Liter	1	1
8	B	1110561	Flowmeter without Palnuts - 5 Liter	1	1
8		1074672	Flowmeter with Palnuts - 6 Liter	1	1
9		1098707	Hour Meter Assembly with Clip	1	1
10		2001134	Switch, On/Off	1	1
11		1101587-NLA	NLA - Label, Text Control Panel - IRC3LX	1	1
11		1105530	Label, Text Control Panel - IRC5LX	1	1
11		1105532	Label, Text Control Panel - IRC5LX02	1	1
11		1101586-NLA	NLA - Label, Text Control Panel - IRC6LX02	1	1
12		1101590-NLA	NLA - Label, Logo Control Panel - IRC3LX	1	1
12		1105531-NLA	NLA - Label, Logo Control Panel - IRC5LX, 5LX02	1	1
12		1101588-NLA	NLA - Label, Logo Control Panel - IRC6LX02	1	1
13		1101591	Support, Control Panel	1	2
14		1056554	Circuit Breaker (8 AMP)	1	1
15		2000507	Palnut (9/16-18)	1	2
16		2002674	Palnut (3/8-27)	1	1
17		1085200	Transformer Assembly	1	1
18		1102696	Screw, Phillips Pan Head SEMS (#8-32 x 3/8")	1	2
19		1101620	Harness, Wire (24V)	1	1
20		P0750X030	Filter, HEPA Outlet	1	1
21		2000897	Tubing, Tygon (1/4 x 24")	1	1
22		2001682	Tie Wrap (8" L)	1	2
23	A	See Chart	#23 P.C. Boards	1	1

NOTE: A - See P.C. Board Chart.
 B - Palnuts not included. See item 15.
 C - Item no longer available, refer to Part #1110561.
 D - Knob is silver with black "swish". Used on Flowmeters with an Indented Phillips Head Screw on top.
 E - Knob is black with silver "swish". Used on Flowmeters with a Slotted Head Screw on top.

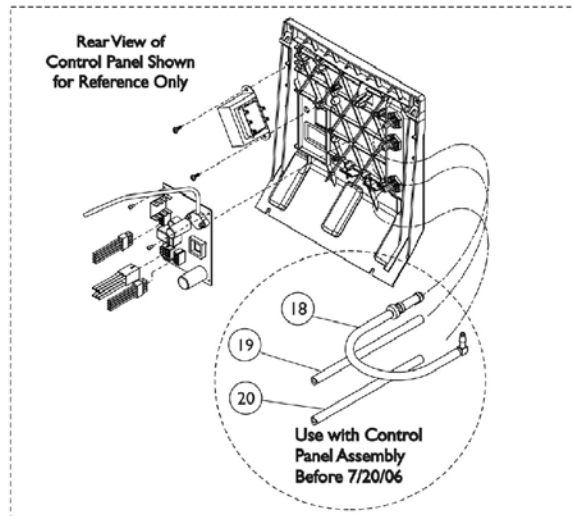
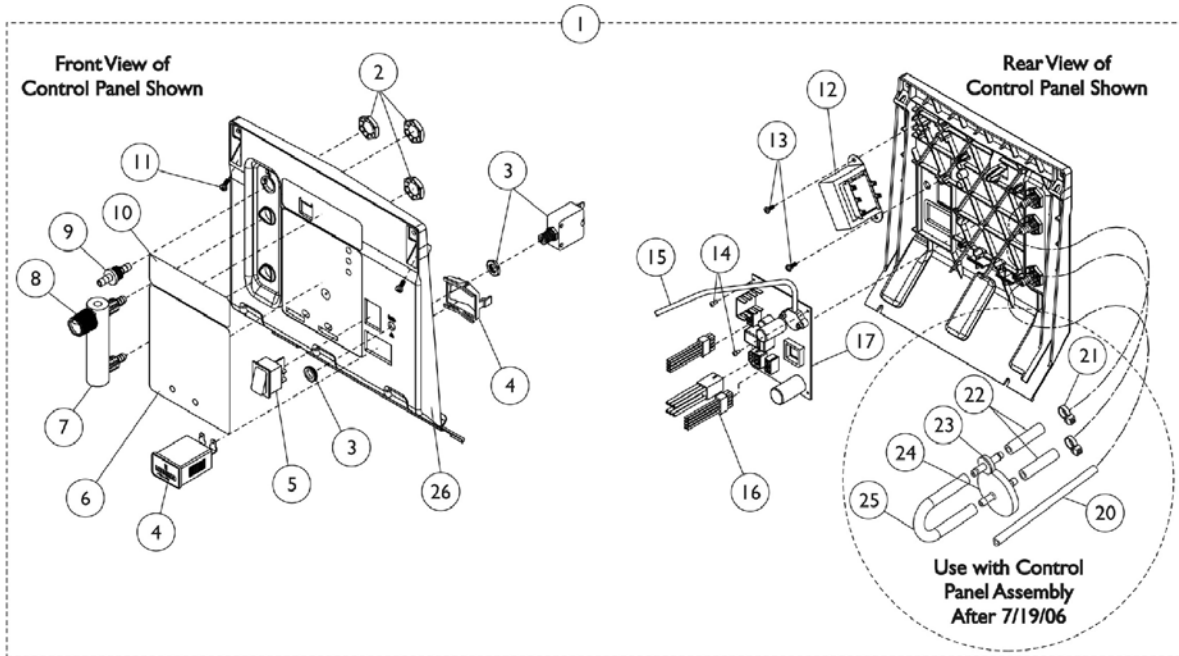
Control Panel and P.C. Board
(All Models Except Platinum 5)
After 12/14/00

#23 P.C. Boards

Model	P.C. Board	Reconditioned P.C. Board
IRC3LX	1078183-NLA	1078183E
IRC5LX	1078183-NLA	1078183E
IRC5LX02	1113693	1113693E-NLA
IRC5LX02T	1079444-NLA	N/A
IRC6LX02	1113693	1113693E-NLA
IRC6LX02T	1079444-NLA	N/A
IRC6LX02H	1113693	1113693E-NLA

All P.C. Boards include an Instruction Sheet.

Control Panel and P.C. Board (Platinum 5 Models) Before 12/5/02

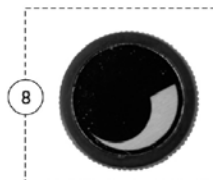


1128379



Used with Flowmeters that have an Indented Phillips Head Screw on top.

1128380



Used with Flowmeters that have a Slotted Head Screw on top.

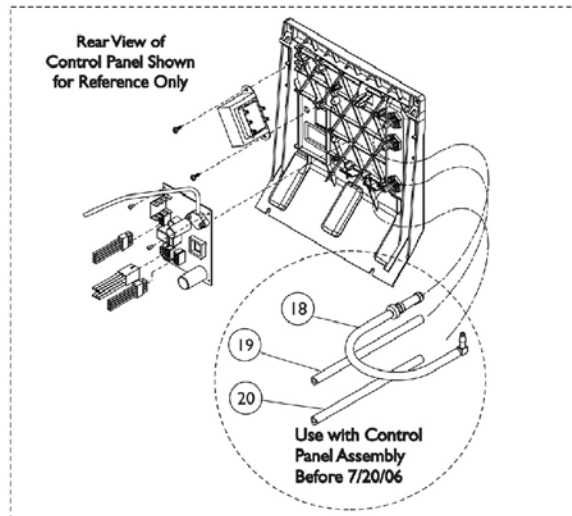
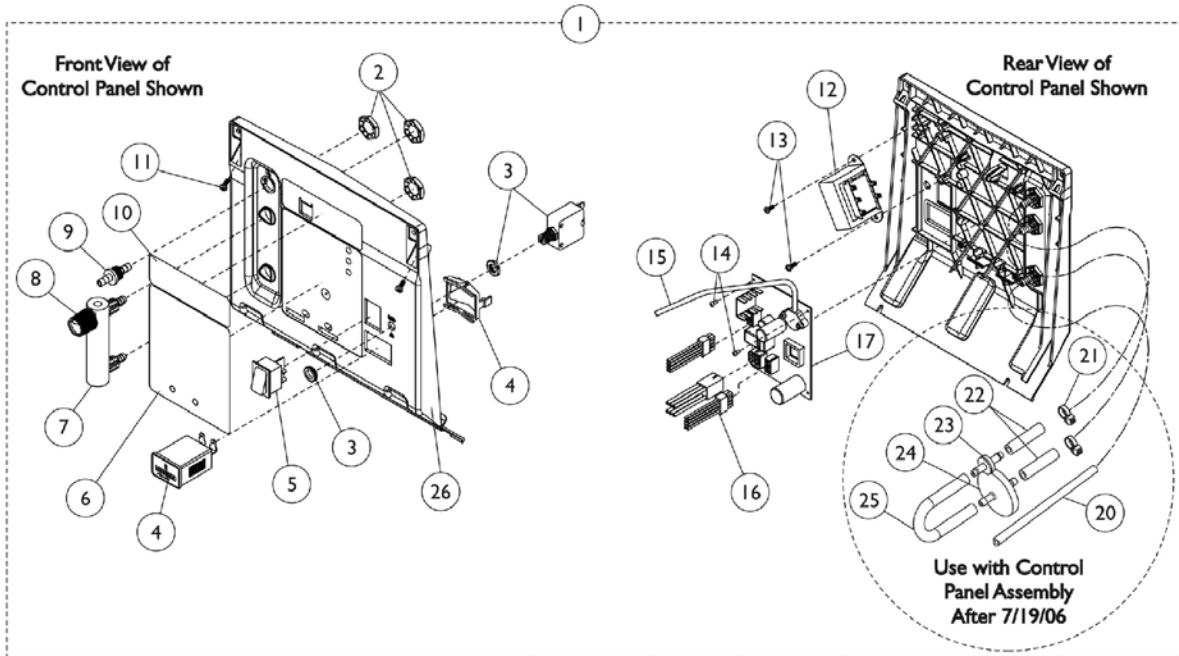
Control Panel and P.C. Board (Platinum 5 Models) Before 12/5/02

Item Number	Note	Part Number	Description	Quantity Per	
				Package	Assembly
1	J	1110784-NLA	NLA - Control Panel Assembly - IRC5LX	1	1
1		1115189	Control Panel Assembly - IRC5LX	1	1
1	I	1106693-NLA	NLA - Control Panel Assembly - IRC5LX02	1	1
1	I	1115190-NLA	NLA - Control Panel Assembly - IRC5LX02	1	1
2		2000507	Palnut (9/16-18)	1	3
3		1056554	Circuit Breaker (8 AMP)	1	1
4		1098707	Hour Meter Assembly with Clip	1	1
5		2001134	Switch, On/Off	1	1
6		1105530	Label, Text Control Panel - IRC5LX	1	1
6		1105532	Label, Text Control Panel - IRC5LX02	1	1
7	F	2001773-NLA	NLA - Flowmeter with Palnuts - 5 Liter	1	1
7		1110561	Flowmeter without Palnuts - 5 Liter	1	1
8	G	1128379	Package, Knob, Flowmeter, Silver w/ Black Swish	10	1
8	H	1128380	Package, Knob, Flowmeter, Black w/ Silver Swish	10	1
9		2000473	Connector, Barbed (1/4")	1	1
10	D,N	See Note	See Footnote	1	1
10	E	1123239	Decal, Logo, Control Panel	1	1
11		2003065-NLA	NLA - Screw, Phillips Hex Washer Head (#8-32 x 3/8")	1	2
11		1128404	Screw, Phillips Hex Washer Head (#8-32 x 3/8")	1	2
12		1085200	Transformer Assembly	1	1
13		1102696	Screw, Phillips Pan Head SEMS (#8-32 x 3/8")	1	2
14		2001902-NLA	NLA - Screw, Phillips Pan Head (#4-40 x 1/4")	1	2
15		1076275	Tubing, Tygon (1/8 x 18")	1	1
16		1110481	Harness, Wire, 9 Pin	1	1
17	B,C	1078183-NLA	NLA - P.C. Board Replacement LX	1	1
17	B,C	1113693	P.C. Board, LX02	1	1
18	A,M	1110779	Tubing Assembly, Check Valve Discharge	1	1
19	M	1108815	Tubing, Silicon (1/4 x 16-1/4")	1	1
20		1108809	Tubing, PVC (1/4 x 12-3/4")	1	1
21	K,L	2001682	Tie Wrap (8" L)	1	2
22	K,L	1110473	Tubing, PVC (1/4 x 1-3/4")	1	2
23	K,L	2000460	Valve, Check	1	1
24	K,L	P0750X030	Filter, HEPA Outlet	1	1
25	K,L	1143144	Tubing, PVC (1/4 x 5")	1	1
26		1081276	Control Panel Only	1	1

Control Panel and P.C. Board (Platinum 5 Models) Before 12/5/02

NOTE: A - Includes (2) Tubing, Check Valve, Elbow and Tie Wrap.
B - Includes Item 15 and Instruction Sheet.
C - Before 11/19/02.
D - Before 4/14/04.
E - After 4/13/04.
F - Item no longer available, refer to Part #1110561. Palnuts must be ordered separately, refer to Part #2000507 in a quantity of 2.
G - Knob is silver with black "swish". Used on Flowmeters with an Indented Phillips Head Screw on top.
H - Knob is black with silver "swish". Used on Flowmeters with a Slotted Head Screw on top.
I - Item no longer available.
J - Item no longer available, refer to Part #1115189.
K - "After 7/19/06" the location of the HEPA Filter has changed. The HEPA Filter is now located inside the cabinet.
L - For use with Control Panel Assembly "After 7/19/06."
M - For use with Control Panel Assembly "Before 7/20/06."
N - No longer available as a service part in the field.

Control Panel and P.C. Board (Platinum 5 Models) After 12/5/02



1128379



Used with Flowmeters that have an Indented Phillips Head Screw on top.

1128380



Used with Flowmeters that have a Slotted Head Screw on top.

Control Panel and P.C. Board (Platinum 5 Models) After 12/5/02

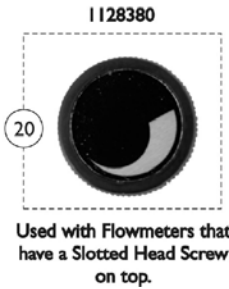
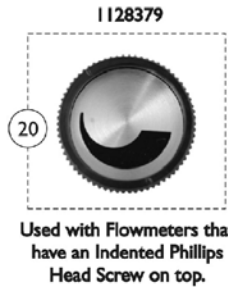
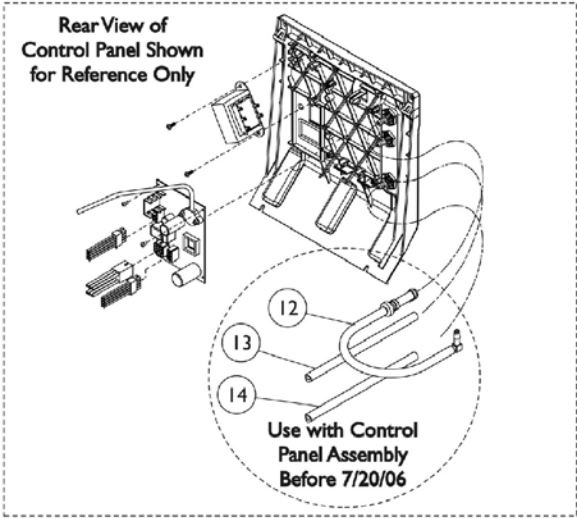
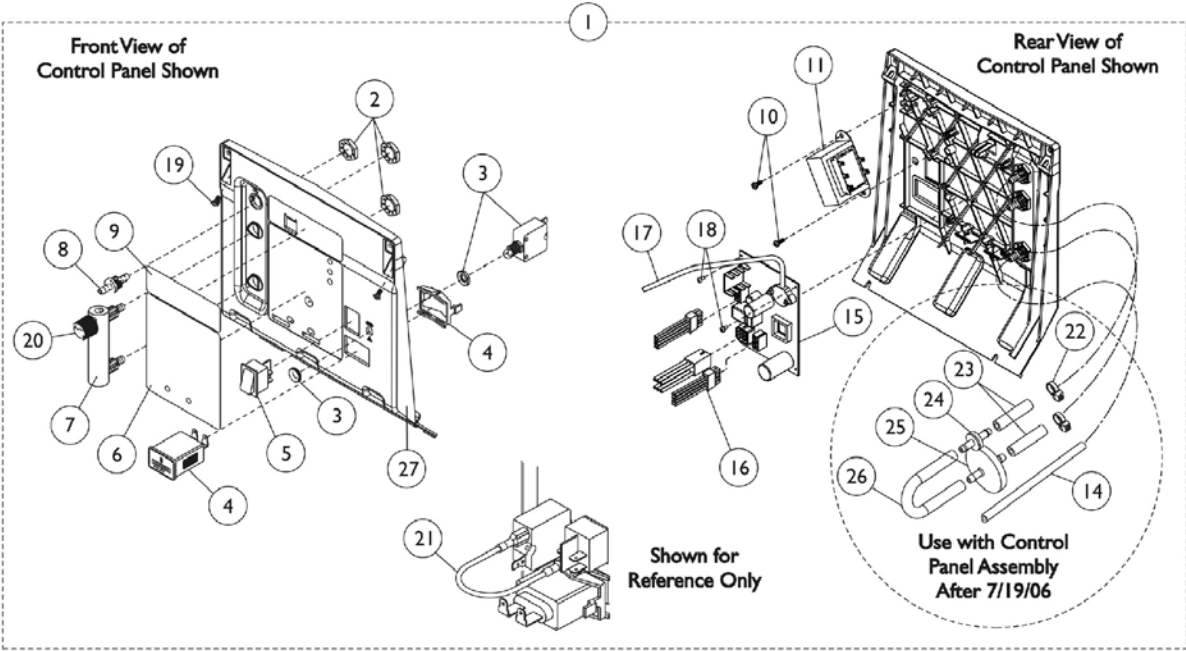
Item Number	Note	Part Number	Description	Quantity Per	
				Package	Assembly
1	C	1115189	Control Panel Assembly - IRC5LX	1	1
1	D	1115190-NLA	NLA - Control Panel Assembly - IRC5LX02	1	1
2		2000507	Palnut (9/16-18)	1	3
3		1056554	Circuit Breaker (8 AMP)	1	1
4		1098707	Hour Meter Assembly with Clip	1	1
5		2001134	Switch, On/Off	1	1
6		1108820	Label, Text Control Panel - IRC5LX	1	1
6		1108755	Label, Text Control Panel - IRC5LX02	1	1
7	B	2001773-NLA	NLA - Flowmeter with Palnuts - 5 Liter	1	1
7		1110561	Flowmeter without Palnuts - 5 Liter	1	1
8	H	1128379	Package, Knob, Flowmeter, Silver w/ Black Swish	10	1
8	G	1128380	Package, Knob, Flowmeter, Black w/ Silver Swish	10	1
9		2000473	Connector, Barbed (1/4")	1	1
10	F	1123239	Decal, Logo, Control Panel	1	1
11		2003065-NLA	NLA - Screw, Phillips Hex Washer Head (#8-32 x 3/8")	1	2
11		1128404	Screw, Phillips Hex Washer Head (#8-32 x 3/8")	1	2
12		1085200	Transformer Assembly	1	1
13		1102696	Screw, Phillips Pan Head SEMS (#8-32 x 3/8")	1	2
14		2001902-NLA	NLA - Screw, Phillips Pan Head (#4-40 x 1/4")	1	2
15		1076275	Tubing, Tygon (1/8 x 18")	1	1
16		1108737	Harness, Wire, 10 Pin	1	1
17	C	1108720	LXN PCB Assembly	1	1
17	C	1108720E	WARR RPLMT - LXN PCB Assembly	1	1
17	D	1108731	ISBN PCB Assembly	1	1
17	D	1108731E	WARR RPLMT - ISBN PCB Assembly	1	1
18	A,K	1110779	Tubing Assembly, Check Valve Discharge	1	1
19	K	1108815	Tubing, Silicon (1/4 x 16-1/4")	1	1
20		1108809	Tubing, PVC (1/4 x 12-3/4")	1	1
21	I,J	2001682	Tie Wrap (8" L)	1	2
22	I,J	1110473	Tubing, PVC (1/4 x 1-3/4")	1	2
23	I,J	2000460	Valve, Check	1	1
24	I,J	P0750X030	Filter, HEPA Outlet	1	1
25	I,J	1143144	Tubing, PVC (1/4 x 5")	1	1
26		1081276	Control Panel Only	1	1

Control Panel and P.C. Board (Platinum 5 Models) After 12/5/02

NOTE: A - Includes (2) Tubing, Check Valve, Elbow and Tie Wrap.
B - Item no longer available, refer to Part #1110561.
C - To be used on model IRC5LX.
D - To be used on model IRC5LX02.
F - After 4/13/04.
G - Knob is black with silver "swish". Used on Flowmeters with a Slotted Head Screw on top.
H - Knob is silver with black "swish". Used on Flowmeters with an Indented Phillips Head Screw on top.
I - "After 7/19/06" the location of the HEPA Filter has changed. The HEPA Filter is now located inside the cabinet.
J - For use with Control Panel Assembly "After 7/19/06."
K - For use with Control Panel Assembly "Before 7/20/06."

Control Panel and P.C. Board

10 Liter Models



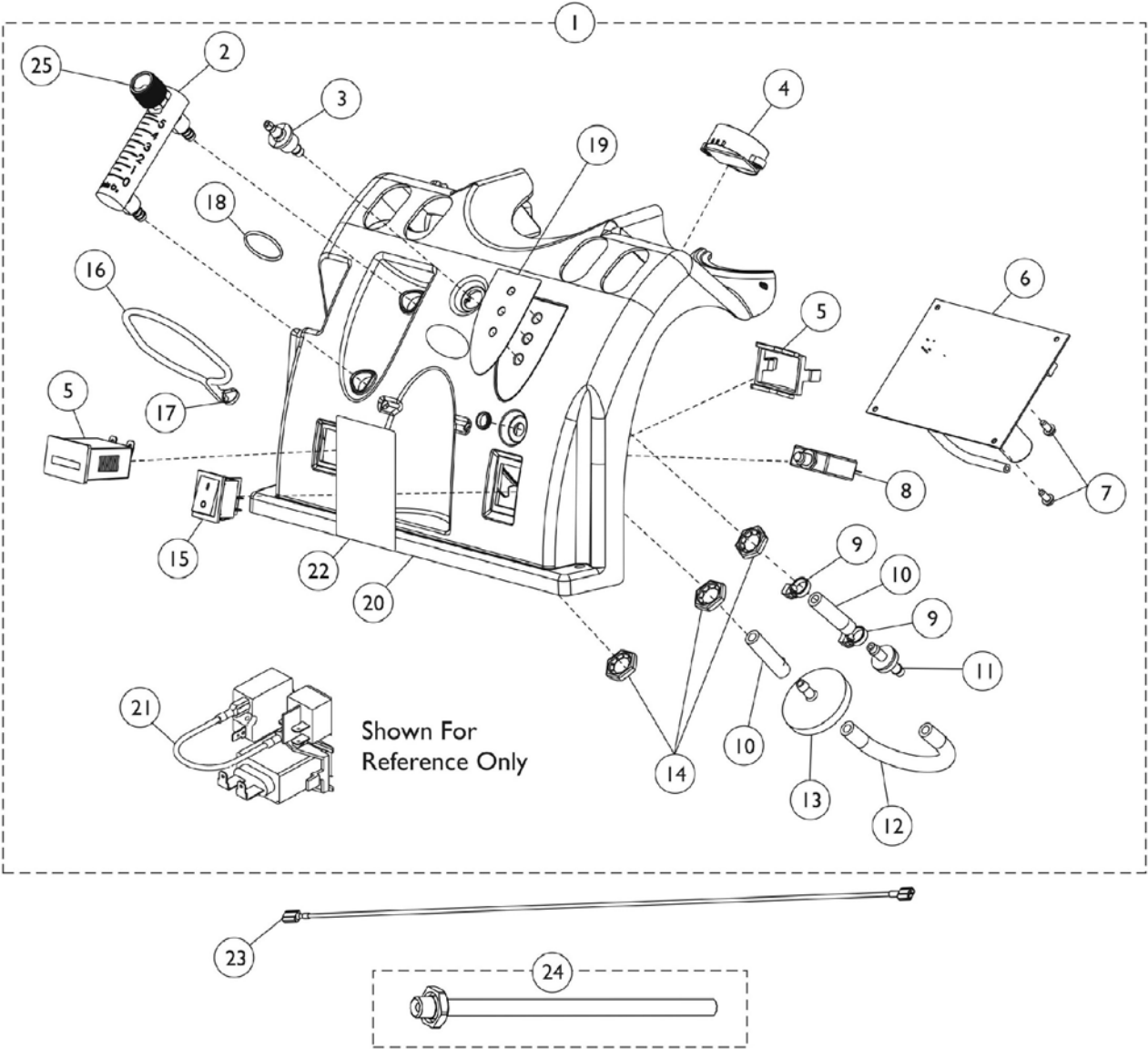
Control Panel and P.C. Board 10 Liter Models

Item Number	Note	Part Number	Description	Quantity Per	
				Package	Assembly
1		1132056	Control Panel Assembly - 10LX	1	1
1		1130682	Control Panel Assembly - 10LXO2	1	1
2		2000507	Palnut (9/16-18)	1	3
3		1056554	Circuit Breaker (8 AMP)	1	1
4		1098707	Hour Meter Assembly with Clip	1	1
5		2001134	Switch, On/Off	1	1
6		1130062	Label, Control Panel - 10LX	1	1
6		1125073	Label, Control Panel - 10LXO2	1	1
7	D,E	1128739-NLA	NLA - Flowmeter without Palnuts	1	1
7	D	1135961	Flowmeter Assembly	1	1
8		2000473	Connector, Barbed (1/4")	1	1
9		1128738	Label, Logo	1	1
10		1102696	Screw, Phillips Pan Head SEMS (#8-32 x 3/8")	1	2
11		1085200	Transformer Assembly	1	1
12	A,H	1110779	Tubing Assembly, Check Valve Discharge	1	1
13	H	1108815	Tubing, Silicon (1/4 x 16-1/4")	1	1
14		1108809	Tubing, PVC (1/4 x 12-3/4")	1	1
15		1128737	PCB Control Assembly - 10LX	1	1
15		1128742	PCB Control Assembly - 10LXO2	1	1
15		1128742E	WARR RPLMT - PCB Control Assembly - 10LXO2	1	1
16		1108737	Harness, Wire, 10 Pin	1	1
17		1076275	Tubing, Tygon (1/8 x 18")	1	1
18		2001902-NLA	NLA - Screw, Phillips Pan Head (#4-40 x 1/4")	1	2
19		1128404	Screw, Phillips Hex Washer Head (#8-32 x 3/8")	1	2
19		2003065-NLA	NLA - Screw, Phillips Hex Washer Head (#8-32 x 3/8")	1	2
20	C	1128379	Package, Knob, Flowmeter, Silver w/ Black Swish	10	1
20	B	1128380	Package, Knob, Flowmeter, Black w/ Silver Swish	10	1
21		2001764	Jumper Wire Assembly	1	1
22	F,G	2001682	Tie Wrap (8" L)	1	2
23	F,G	1110473	Tubing, PVC (1/4 x 1-3/4")	1	2
24	F,G	2000460	Valve, Check	1	1
25	F,G	P0750X030	Filter, HEPA Outlet	1	1
26	F,G	1143144	Tubing, PVC (1/4 x 5")	1	1
27		1081276	Control Panel Only	1	1

NOTE: A - Includes Tubing, Check Valve, Elbow and Tie Wrap.
 B - Knob is black with silver "swish". Used on Flowmeters with a Slotted Head Screw on top.
 C - Knob is silver with black "swish". Used on Flowmeters with an Indented Phillips Head Screw on top.
 D - When replacing Flowmeter Assembly Part #1135961 in units built "Before 4/06," it is required that the Patient Outlet Pressure be increased to 9psi. Contact Invacare Technical Support at 1-800-832-4707 for more details.
 E - Flowmeter 1128739 is no longer available, refer to Part #1135961 for replacement.
 F - "After 7/19/06" the location of the HEPA Filter has changed. The HEPA Filter is now located inside the cabinet.
 G - For use with Control Panel Assembly "After 7/19/06."
 H - For use with Control Panel Assembly "Before 7/20/06."

Control Panel and P.C. Board

Perfecto2/Perfecto2V/PerfectoW

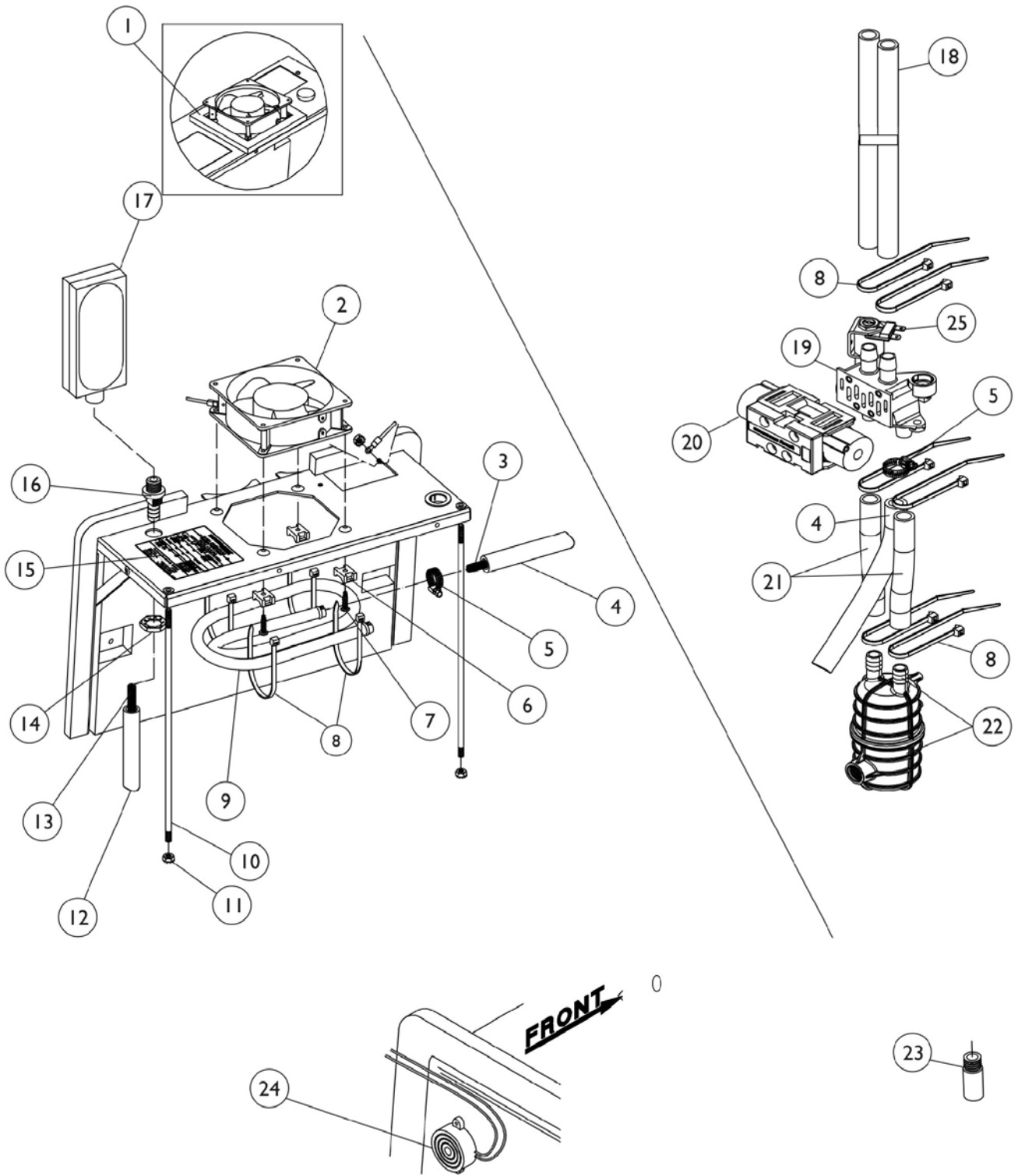


Control Panel and P.C. Board Perfecto2/Perfecto2V/PerfectoW

Item Number	Note	Part Number	Description	Quantity Per	
				Package	Assembly
1		1143576	Control Panel Assembly - P2/PW	1	1
1		1143553	Control Panel with SensO2 Assembly - PO2/PO2W	1	1
1		1164802	Control Panel w/ SensO2 Assembly - PO2V	1	1
2		1110561	Flowmeter without Palnuts - 5 Liter	1	1
3		2000473	Connector, Barbed (1/4")	1	1
4		1143503	Horn Assembly	1	1
5		1098707	Hour Meter Assembly with Clip	1	1
6		1143475	PCB Assembly - P2/PW	1	1
6		1143486	PCB Assembly - PO2/PO2W	1	1
6		1143486E	WARR RPLMT - PCB Assembly - PO2/PO2W	1	1
6		1164808	PCB Assembly - PO2V	1	1
7		1143499	Screw, Phillips Hex Washer Head (#8-16 x 3/8)	1	2
8		1143542	Breaker, Circuit 6 AMP	1	1
9		2001682	Tie Wrap (8" L)	1	2
10		1110473	Tubing, PVC (1/4 x 1-3/4")	1	2
11		2000460	Valve, Check	1	1
12		1143144	Tubing, PVC (1/4 x 5")	1	1
13		P0750X030	Filter, HEPA Outlet	1	1
14		2000507	Palnut (9/16-18)	1	3
15		2001134	Switch, On/Off	1	1
16		1008547	Cord, Elastic	1	1
17		1006525	Tie Wrap (3-29/32" L)	1	1
18		1095497	Decal, Invacare Logo (1.6)	1	1
19		1143545	Label, LED - P2/PW	1	1
19		1143479	Label, LED - PO2/PO2V/PO2W	1	1
20		1143469	Panel, Control	1	1
21		2001764	Jumper Wire Assembly	1	1
22		1163429	Package, Label, No Smoking, Perfecto2/Perfecto2V/PerfectoW	20	1
23		1143501-NLA	NLA - Power Jumper Assembly	1	1
24		2000799	Adapter with Tubing for Humidifier Bottle	1	1
25		1128379	Package, Knob, Flowmeter, Silver w/ Black Swish	10	1
25		1128380	Package, Knob, Flowmeter, Black w/ Silver Swish	10	1
	A,B	1143477	Main Harness Assembly	1	1
	A,B	1143526	Wire Harness Valve Assembly	1	1
NOTE: A - Not Shown. B - Connects to the PC Board.					

Sound Box Assembly

All Models Except Platinum 5



Sound Box Assembly All Models Except Platinum 5

Item Number	Note	Part Number	Description	Quantity Per	
				Package	Assembly
1		1073613-NLA	NLA - Gasket, Foam	1	1
2		2001361	Kit, Exhaust Fan Service	1	1
			Fan, Exhaust	1	1
			Mount, Cable Tie	1	4
			Tie Wrap (3-29/32" L)	1	1
			NLA - Screw, Phillips Hex Washer Head (#7-19 x 3/8")	1	1
			Screw, Phillips Pan Head (10-24 x 3/4")	1	4
			Tie Wrap (15-1/4" L)	1	1
			Tie Wrap (8" L)	1	4
			Instruction Sheet	1	1
3		2000765-NLA	NLA - Spring, Extension (7/16 x 7-1/2" L)	1	1
4		2001375	Hose, Reinforced Silicon (1/2 x 8-1/2")	1	1
5		P0876X026	Clamp, Hose	1	2
6		2000755	Mount, Cable Tie	1	4
7		1076750	Screw, Phillips Pan Head (10-24 x 3/4")	1	4
8		2001682	Tie Wrap (8" L)	1	10
9	K	1085014-NLA	NLA - Exchanger, Heat	1	1
9		2000884	Kit, Heat Exchanger	1	1
9			NLA - Exchanger, Heat	1	1
5			Clamp, Hose	1	2
8			Tie Wrap (8" L)	1	4
10		2000411-NLA	NLA - Rod, Support	1	2
11		P0870X050	Nut, Keps (#6-32)	1	1
12		1088281-NLA	NLA - Tubing, Silicon (1/2 x 5")	1	1
13		2001194-NLA	Spring, Compression (17-1/4")	1	1
14		P0875X720	Nut (3/4-16)	1	1
15		2002997	Label, Diagnostic - IRC5LX02	1	1
16		2001096-NLA	NLA - Fitting, Bulk Head (1/2")	1	1
17	J	1108078-NLA	NLA - Filter, Inlet	1	1
17		1131249	Filter, Inlet Sound Reduced	1	1
18		2002264	Tubing, Reinforced Braided (1/2 x 26")	1	2
19	C,A	1105552	Kit, 4 Way Valve/Manifold Service	1	1
			Manifold Assembly	1	1
			Kit, 4-Way Valve w/ Screws	1	1
			Hose, Reinforced Silicon (1/2 x 8-1/2")	1	1
			Tubing, Reinforced Braided (1/2x 4-1/8")	1	2
			Clamp, Hose	1	1
			Tubing, Reinforced Braided (1/2 x 26")	1	2
			Tie Wrap (8" L)	1	6
			Clamp, Plastic (1/2")	1	2
			Bushing, Step (1/2")	1	4
			Washer, Flat (#8)	1	2

Sound Box Assembly

All Models Except Platinum 5

Item Number	Note	Part Number	Description	Quantity Per	
				Package	Assembly
			Screw, Phillips Pan Head (#8-32 x 3/4")	1	2
			Resistor Service Assembly	1	1
			Tie Wrap, Banded (3-29/32" L)	1	2
			Instruction Sheet	1	1
20	D	1083005-NLA	NLA - Valve, 4-Way with Screen	1	1
20	D	1083005E-NLA	NLA - Valve, 4-Way with Screws (Reconditioned)	1	1
20	E	1101141	Kit, 4-Way Valve w/ Screws	1	1
	B	1101141R	Valve, Reconditioned	1	1
	B	1101141E-NLA	Kit, Valve - Warranty Replacement	1	1
			Valve, Reconditioned	1	1
			Gasket	1	1
			Screw, Socket Head (M5 x .8 x 2 MM)	1	4
21		1095209	Tubing, Reinforced Braided (1/2x 4-1/8")	1	2
22	F	1095538	Kit, Muffler Retro-Fit	1	1
			Muffler Assembly	1	1
			Screw, Phillips Pan Head (#10-16 x 1/2")	1	2
			Screw, Socket Button Head (1/4-20 x 3/8")	1	1
			Bracket, Mounting	1	1
			Clip, Flange	1	1
			Instruction Sheet	1	1
22	G	1085872	Muffler Assembly	1	1
23		2001116	Uni-Muffler	1	1
24		2001765	Harness, Horn/Alarm	1	1
25	L	2003052	Valve, Operator Pilot	1	1
		1085112	O-Ring, Pilot Valve (35/64" I.D.)	1	1
	B	1080973	Kit, Pilot Valve Stem and Poppet Replacement	1	1
			Pilot Valve Poppet and Stem	1	1
			Instruction Sheet, Pilot Coil	1	1
	H,B	2003083	Kit, Pilot Valve Poppet Replacement	1	1
	I,B	2003082-NLA	NLA - Instruction Sheet, Pilot Valve Poppet Kit	1	1
	B	1080971	Kit, Pilot Coil Replacement	1	1
			Coil, Pilot	1	1
			Instruction Sheet, Pilot Coil	1	1
	B	2000830	Guard, Cooler	1	1

Sound Box Assembly

All Models Except Platinum 5

NOTE: A - Manifold #2002752, 4-Way Valve #1083005 and 4-Way Valve #1083005E are no longer available. Must order Manifold/Valve Service Kit (p/n 1105552). To be used on units built before 01/01.

B - Not Shown.

C - Includes items 4, 5, 8, 18, 20, 21 and Instruction Sheet.

D - Before 12/00.

E - After 11/00.

F - Before 7/00.

G - After 6/00.

H - Includes O-Ring, Labels, Slotted Poppets and Instruction Sheet.

I - See Tech Services for a copy of Instruction Sheet.

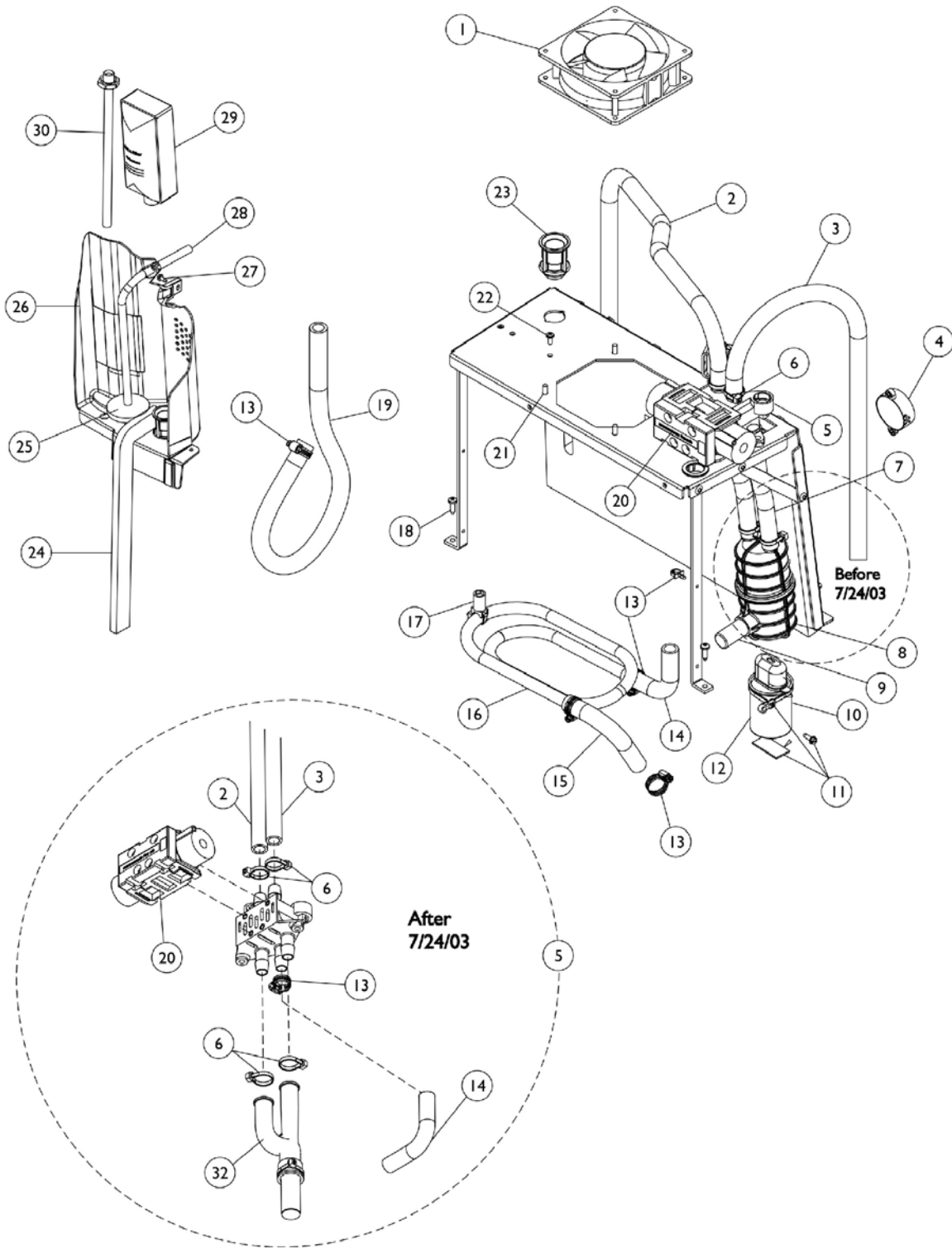
J - Item no longer available, refer to Part #1131249.

K - Part Number 1085014 is No Longer Available by itself. Refer to the Heat Exchanger Kit part number 2000884

L - A new Pilot Valve O-Ring part #1085112 is recommended when ordering a new Operator Pilot Valve

Sound Box Assembly

Platinum 5 Models



Sound Box Assembly Platinum 5 Models

Item Number	Note	Part Number	Description	Quantity Per	
				Package	Assembly
1		2001361	Kit, Exhaust Fan Service	1	1
			Fan, Exhaust	1	1
			Mount, Cable Tie	1	4
			Tie Wrap (3-29/32" L)	1	1
			NLA - Screw, Phillips Hex Washer Head (#7-19 x 3/8")	1	1
			Screw, Phillips Pan Head (10-24 x 3/4")	1	4
			Tie Wrap (15-1/4" L)	1	1
			Tie Wrap (8" L)	1	4
			Instruction Sheet	1	1
2		1108783	Tubing, Braided (1/2 x 23")	1	1
3		1108784	Tubing, Braided (1/2 x 20-1/4")	1	1
4		2001765	Harness, Horn/Alarm	1	1
5	B	1108085	Manifold/Valve Assembly	1	1
6		2001682	Tie Wrap (8" L)	1	5
7		1110848	Tubing, Braided (1/2 x 6-3/16")	1	2
8	F	1085872	Muffler Assembly	1	1
9	F	2001116	Uni-Muffler	1	1
10	M	P0875X560	Boot, Terminal	1	1
11	A	1110776-NLA	NLA - Capacitor Mounting Hardware	1	1
12	H	1068698	Capacitor, 15 MFD	1	1
12	D,I	1131250	Kit, Capacitor Replacement 10 MFD	1	1
13		P0876X026	Clamp, Hose	1	5
14		1108822	Elbow, PVC Formed (1/2 x 2-1/2 x 2-1/2")	1	1
15		1106698	Elbow, Silicon (1/2 x 3-1/2")	1	1
16	J	1108817	Heat Exchanger Assembly	1	1
17		1110780	Stand-Off, Heat Exchanger	1	1
18		1108810	Screw, Hi-Lo Six Lobe Drive (#10-16 x 5/8")	1	7
19		1108086-NLA	NLA - Tubing (1/2 x 19")	1	1
19		1112561	Tube, Compressor	1	1
20		1101141	Kit, 4-Way Valve w/ Screws	1	1
	L	1101141R	Valve, Reconditioned	1	1
	L	1101141E-NLA	Kit, Valve - Warranty Replacement	1	1
			Valve, Reconditioned	1	1
			Gasket	1	1
			Screw, Socket Head (M5 x .8 x 2 MM)	1	4
21		1110852	Screw, Slotted Hex Washer Head (#10-24 x 1/2")	1	4
22		1003363-NLA	Screw, Phillips Pan Head (#8-32 x 3/8")	1	1
22		1128404	Screw, Phillips Hex Washer Head (#8-32 x 3/8")	1	1
23		1106675	Coupling, Inlet Filter	1	1
24		2000812	Seal, Foam	1	2
25	K	P0750X030	Filter, HEPA Outlet	1	1
26		1110777-NLA	NLA - Partition	1	1

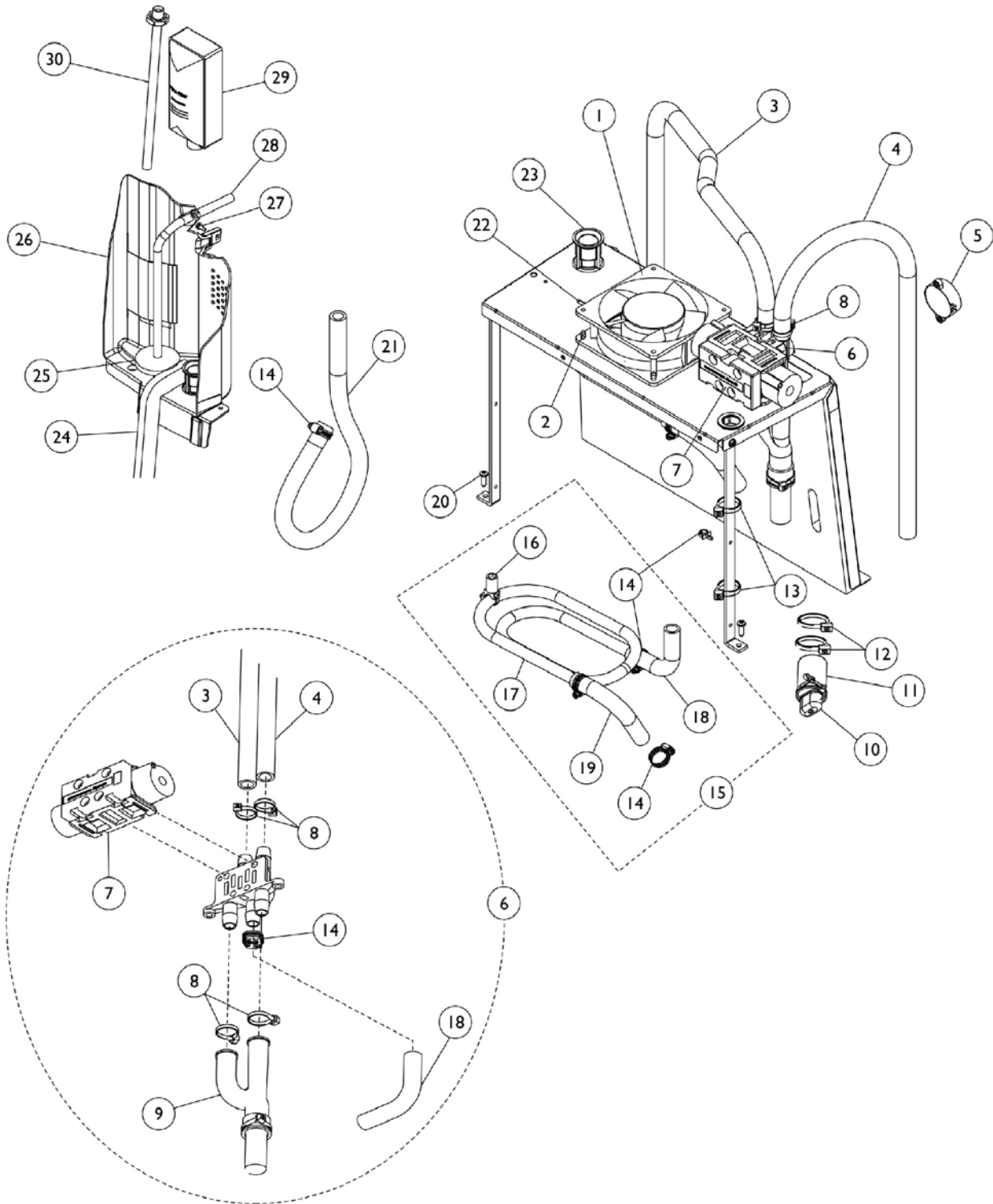
Sound Box Assembly Platinum 5 Models

Item Number	Note	Part Number	Description	Quantity Per	
				Package	Assembly
26	E	1115183	Partition Assembly	1	1
27		1128404	Screw, Phillips Hex Washer Head (#8-32 x 3/8")	1	1
28		1108815	Tubing, Silicon (1/4 x 16-1/4")	1	1
29		1108078-NLA	NLA - Filter, Inlet	1	1
29		1131249	Filter, Inlet Sound Reduced	1	1
30		1110768-NLA	NLA - Adaptor, Humidifier Bottle	1	1
30		2000799	Adapter with Tubing for Humidifier Bottle	1	1
31	F	1087225	Screw, Phillips Pan Head (#10-16 x 1/2")	1	2
32	G	1110775	Muffler/Y-Tube Assembly	1	1
	L	2003052	Valve, Operator Pilot	1	1

NOTE: A - Includes Screw, Tie Wraps and Foam Tape.
 B - Due to style change effective 7/24/03, includes Items 2, 3, 6, 13, 14, 20 and 32.
 D - Includes: (1) Capacitor, 10MFD and (2) Tie Wraps.
 E - After 12/5/02.
 F - Before 7/24/03.
 G - After 7/23/03.
 H - Use with Thomas Compressors.
 I - Use with Gast Compressors.
 J - Includes Heat Exchanger, Standoff, and Tie Wrap.
 K - After 7/19/06 the Hepa Filter was moved to the inside of cabinet, located between the Flow Meter and the Patient Outlet Barb. See "Control Panel and P.C. Plat. 5 - After 12/5/02" category to view reflective changes.
 L - Not Shown.
 M - Boot removed from assembly after 6/28/07.

Sound Box Assembly

10 Liter Models



Sound Box Assembly 10 Liter Models

Item Number	Note	Part Number	Description	Quantity Per	
				Package	Assembly
1		2000817	Fan, Exhaust	1	1
2		1110852	Screw, Slotted Hex Washer Head (#10-24 x 1/2")	1	4
3		1108783	Tubing, Braided (1/2 x 23")	1	1
4		1108784	Tubing, Braided (1/2 x 20-1/4")	1	1
5		2001765	Harness, Horn/Alarm	1	1
6	C,B	1130671	Manifold/Valve Assembly - 10 Liter	1	1
	H	2003052	Valve, Operator Pilot	1	1
		1085112	O-Ring, Pilot Valve (35/64" I.D.)	1	1
7		1101141	Kit, 4-Way Valve w/ Screws	1	1
	D	1101141R	Valve, Reconditioned	1	1
	D	1101141E-NLA	Kit, Valve - Warranty Replacement	1	1
			Valve, Reconditioned	1	1
			Gasket	1	1
			Screw, Socket Head (M5 x .8 x 2 MM)	1	4
8		2001682	Tie Wrap (8" L)	1	5
9		1130670	Muffler/Y-Tube Assembly	1	1
10	E	P0875X560	Boot, Terminal	1	1
11		1128740	Capacitor, 30 MFD	1	1
12		1089455	Tie Wrap (15-1/4" L)	1	2
13		1006525	Tie Wrap (3-29/32" L)	1	3
14		P0876X026	Clamp, Hose	1	2
15	A	1108817	Heat Exchanger Assembly	1	1
16		1110780	Stand-Off, Heat Exchanger	1	1
17	G	1107422-NLA	NLA - Exchanger, Heat	1	1
18		1108822	Elbow, PVC Formed (1/2 x 2-1/2 x 2-1/2")	1	1
19		1106698	Elbow, Silicon (1/2 x 3-1/2")	1	1
20		1108810	Screw, Hi-Lo Six Lobe Drive (#10-16 x 5/8")	1	7
21		1112561	Tube, Compressor	1	1
22		1003363-NLA	Screw, Phillips Pan Head (#8-32 x 3/8")	1	1
23		1106675	Coupling, Inlet Filter	1	1
24		2000812	Seal, Foam	1	2
25	F	P0750X030	Filter, HEPA Outlet	1	1
26		1115183	Partition Assembly	1	1
27		2003065-NLA	NLA - Screw, Phillips Hex Washer Head (#8-32 x 3/8")	1	1
27		1128404	Screw, Phillips Hex Washer Head (#8-32 x 3/8")	1	1
28		1108815	Tubing, Silicon (1/4 x 16-1/4")	1	1
29		1131249	Filter, Inlet Sound Reduced	1	1
30		2000799	Adapter with Tubing for Humidifier Bottle	1	1

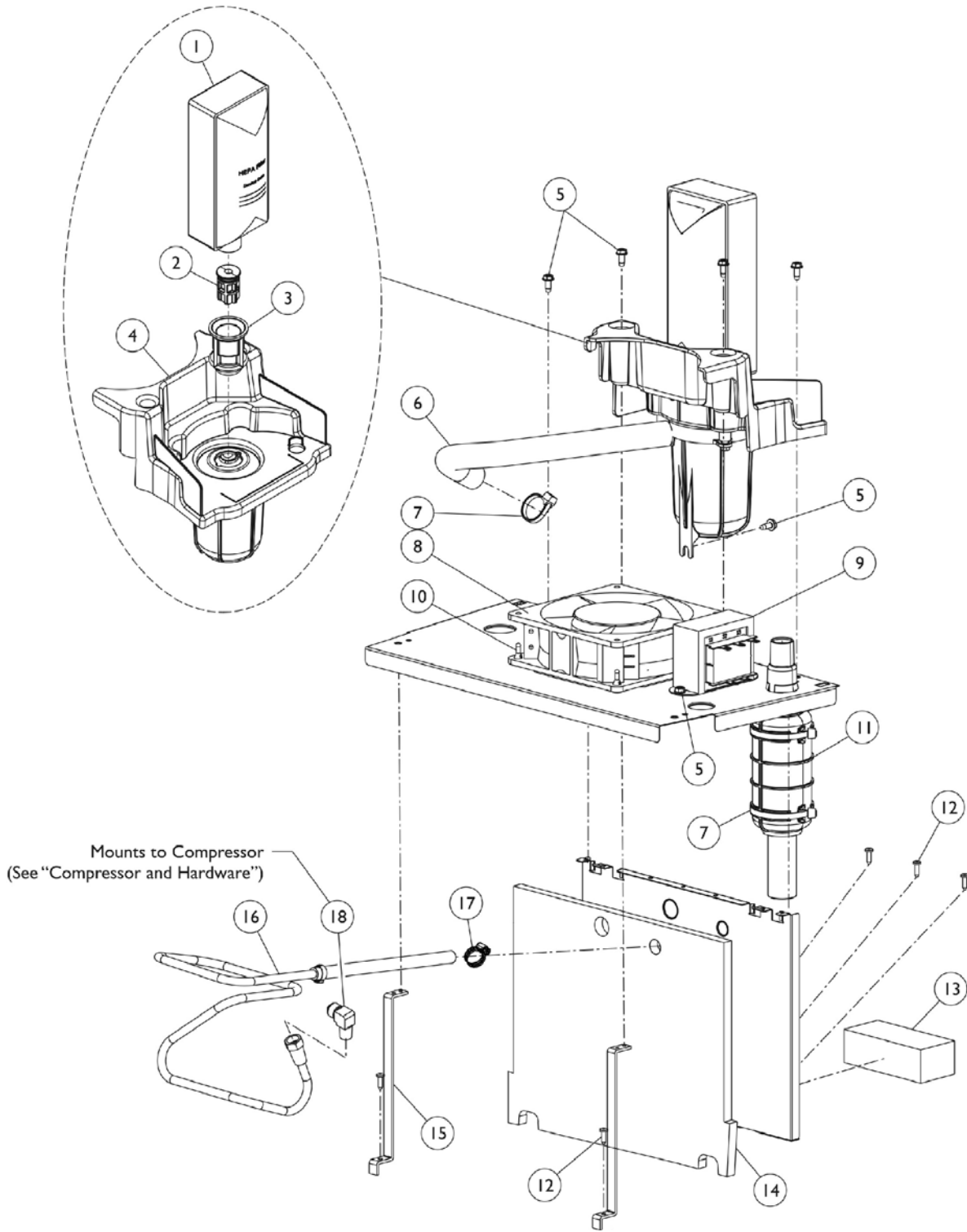
Sound Box Assembly

10 Liter Models

NOTE: A - Includes Heat Exchanger, Clamp, Elbow, Standoff and Tie Wrap.
B - Includes Items 3, 4, 7-9, 14, 18, Manifold and Tie Wraps.
C - Includes O-Ring and Operator Pilot Valve effective 6/4/05.
D - Not Shown.
E - Boot removed from units after 6/28/07.
F - After 7/19/06 the Hepa Filter was moved to the inside of cabinet, located between the Flow Meter and the Patient Outlet Barb. See "Control Panel and P.C. 10 Liter Models" category to view reflective changes.
G - Item no longer available, refer to part #1108817 for replacement.
H - A new Pilot Valve O-Ring part #1085112 is recommended when ordering a new Operator Pilot Valve

Sound Box Assembly

Perfecto2/Perfecto2V



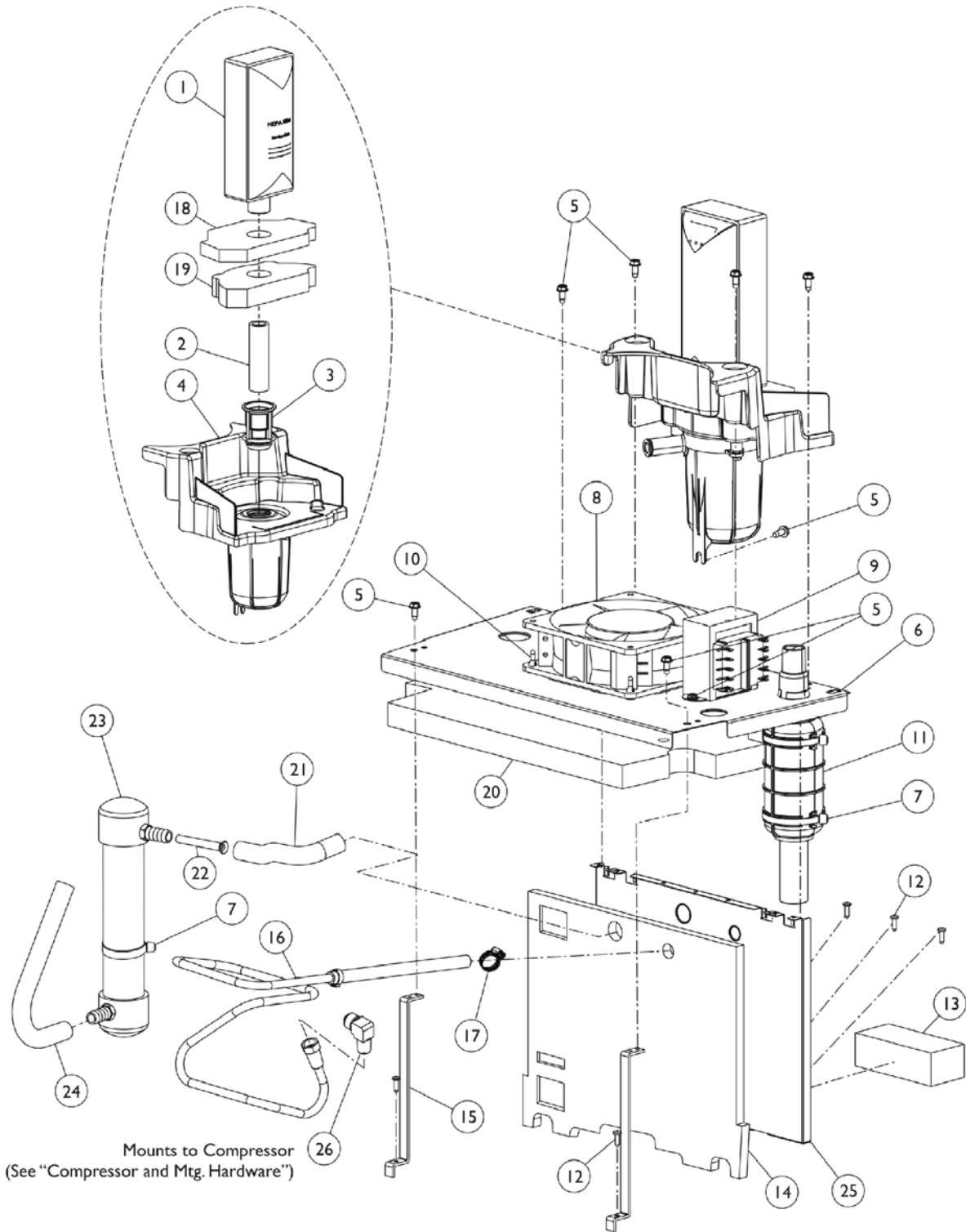
Sound Box Assembly Perfecto2/Perfecto2V

Item Number	Note	Part Number	Description	Quantity Per	
				Package	Assembly
1		1131249	Filter, Inlet Sound Reduced	1	1
2		1143449	Restrictor, Inlet Filter	1	1
3		1106675	Coupling, Inlet Filter	1	1
4		1143435	Resonator Assembly	1	1
5		1128404	Screw, Phillips Hex Washer Head (#8-32 x 3/8")	1	7
6		1143581	Tube, Compressor Inlet	1	1
7		2001682	Tie Wrap (8" L)	1	3
8		1143484	Fan, Exhaust - P2/PW	1	1
9		1143574	Transformer Assembly - P2/PW	1	1
9		1143478	Transformer Assembly - PO2/PO2V/PO2W	1	1
10		1143491	Rivet, Isolator Mount	1	4
11		1143554	Muffler Assembly	1	1
12		1108810	Screw, Hi-Lo Six Lobe Drive (#10-16 x 5/8")	1	5
13		1147917	Mount, Foam Valve 4-Way	1	1
14		1143467	Foam, Soundbox - Vertical	1	1
15		1143474	Gusset, Soundbox	1	2
16	C,A	1172007-NLA	NLA - Heat Exchanger Assembly	1	1
16	B	1143557	Heat Exchanger Assembly	1	1
17		1143582	Clamp, Hose Adjustable (3/8")	1	1
18	C	1169408-NLA	NLA - Fitting, Elbow Swivel (1/4 NPT x 3/8 Tube)	1	1
18		1143489	Elbow, Male Flare	1	1

NOTE: A - Use this part number to replace the Heat Exchanger after 05/17/11. When ordering a new Heat Exchanger, you must also order a new fitting (1169408).
 B - Use this part number to replace 1172007, you must also order 1143489 also.
 C - No longer available. Use 1143489 as its replacement.

Sound Box Assembly

PerfectoW



Sound Box Assembly PerfectoW

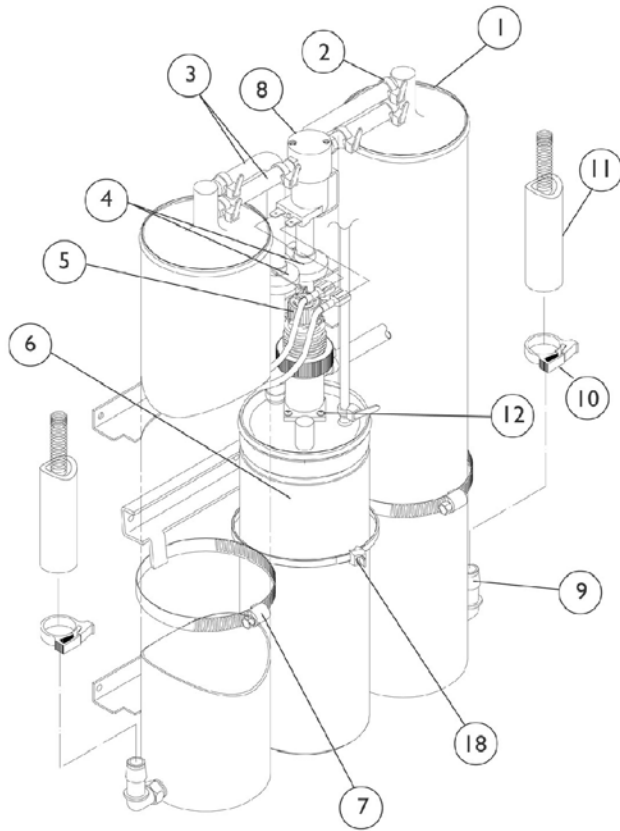
Item Number	Note	Part Number	Description	Quantity Per	
				Package	Assembly
1		1131249	Filter, Inlet Sound Reduced	1	1
2		1153703	Tube, Clear (1/2 x 2-3/4")	1	1
3		1106675	Coupling, Inlet Filter	1	1
4		1143435	Resonator Assembly	1	1
5		1128404	Screw, Phillips Hex Washer Head (#8-32 x 3/8")	1	7
6		1143473	Soundbox, Horizontal	1	1
7	A	2001682	Tie Wrap (8" L)	1	3
8		1143484	Fan, Exhaust - P2/PW	1	1
9		1143574	Transformer Assembly - P2/PW	1	1
9		1143478	Transformer Assembly - PO2/PO2V/PO2W	1	1
10		1143491	Rivet, Isolator Mount	1	4
11		1143554	Muffler Assembly	1	1
12		1108810	Screw, Hi-Lo Six Lobe Drive (#10-16 x 5/8")	1	5
13		1147917	Mount, Foam Valve 4-Way	1	1
14		1154030	Foam, Soundbox - Vertical	1	1
15		1143474	Gusset, Soundbox	1	2
16	B	1172007-NLA	NLA - Heat Exchanger Assembly	1	1
16	C	1143557	Heat Exchanger Assembly	1	1
17		1143582	Clamp, Hose Adjustable (3/8")	1	1
18		1153693	Foam, Resonator - Top	1	1
19		1153694	Foam, Resonator - Bottom	1	1
20		1153699	Foam, Soundbox - Ceiling	1	1
21		1153707	Tube, Resonator Inlet Preformed	1	1
22		1153692	Tube, Inlet Silencer	1	1
23		1153788	Resonator, Inlet	1	1
24		1153708	Tube, Resonator Outlet Preformed	1	1
25		1143445	Soundbox, Vertical	1	1
26	D	1169408-NLA	NLA - Fitting, Elbow Swivel (1/4 NPT x 3/8 Tube)	1	1
26		1143489	Elbow, Male Flare	1	1

NOTE: A - After 1/31/10, this number is the replacement for the numbers 1006525 and 2001694.
 B - Use this part number to replace Heat Exchanger after 05/17/11. When ordering a new Heat Exchanger, you must also order the fitting (1169408).
 C - Use this part number to replace 1172007, you must also order 1143489 also.
 D - No longer available. Use 1143489 as its replacement.

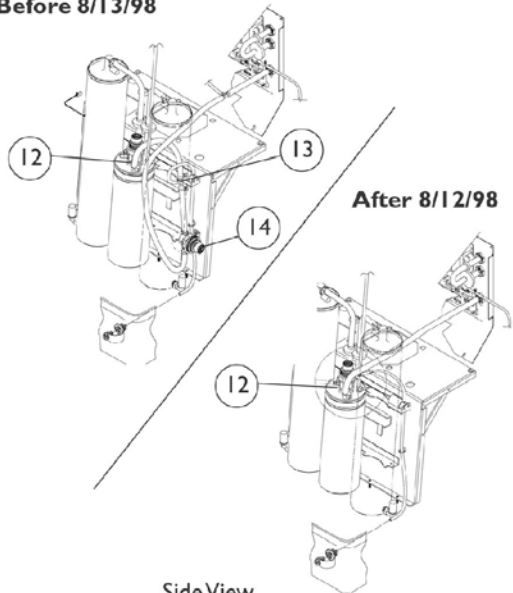
Sieve Bed Assembly and Product Tank

All Models Except Platinum 5

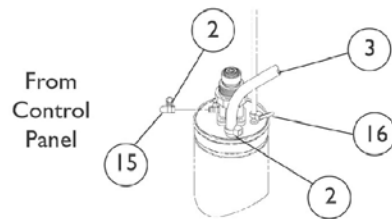
**Models 5LX, 5LX02, 5LX02T
6LX02, 6LX02T, 6LX02H**



Before 8/13/98

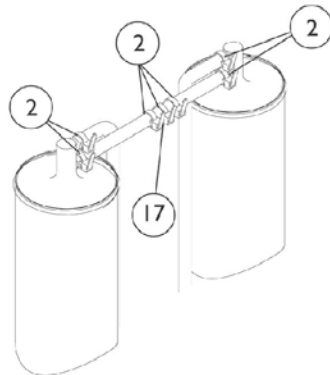


**Side View
Models 6LX02H 6LX02HT**

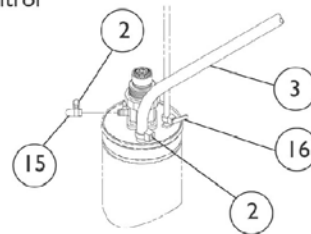


**View of Product Tank
Sens02 Units**

Model 3LX



**From Control
Panel**



**View of Product Tank
Standard 3LX, 5LX**

Sieve Bed Assembly and Product Tank

All Models Except Platinum 5

Item Number	Note	Part Number	Description	Quantity Per	
				Package	Assembly
1	A	1101707	Sieve Bed Assembly (Pair)	2	1
2		2001682	Tie Wrap (8" L)	1	1
3		2000897	Tubing, Tygon (1/4 x 24")	1	1
4		1104310	Kit, Check Valve	1	1
			Clamp, Hose	1	2
			Tie Wrap (3-29/32" L)	1	1
			Instruction Sheet	1	1
			Check Valve, Barb (5/16")	1	2
			Tie Wrap (8" L)	1	9
			Tube, Clear (1/4")	1	1
5	L	1162039	Kit, Regulator	1	1
			Regulator	1	1
			Screw, Regulator (8-32 x 3/8")	1	4
			O-Ring (11/64" I.D.)	1	2
5	D,G	1075498	Regulator	1	1
5	E,L	1162040	Kit, Regulator w/ SenO2	1	1
			Regulator	1	1
			Screw, Regulator (8-32 x 3/8")	1	4
			O-Ring (11/64" I.D.)	1	2
6	F,K	1082588-NLA	NLA - Product Tank Assembly - IRC5LX	1	1
6		1114925-NLA	NLA - Product Tank Assembly - IRC5LX	1	1
6	G,I	1075665	Product Tank Assembly - IRC5LX02	1	1
7		1002807	Clamp, Hose	1	2
8	H	2001656	PE Valve Assembly w/ Fitting	1	1
	B	1080972	Kit, PE Valve Stem and Poppet Replacement	1	1
			PE Valve Poppet and Stem	1	1
			Kit, PE Coil/Valve Instruction Sheet	1	1
	B	1080970	Kit, PE Coil Replacement	1	1
			Coil, PEI	1	1
	B	1081208	Kit, PE Coil/Valve Instruction Sheet	1	1
9		2000492	Elbow, Barbed (1/2")	1	2
10		2001652	Clamp, Plastic (1/2")	1	2
11		2002264	Tubing, Reinforced Braided (1/2 x 26")	1	1
12	D	1070147	Screw, Phillips Pan Head (#4-24 x 1")	1	4
12	E	1075666	Screw, Regulator (8-32 x 3/8")	1	4
13		2001321-NLA	NLA - T-Fitting	1	1
14		1075499	Regulator, Two Way	1	1
15		1076916-NLA	NLA - Cap, End, Vinyl, Black	1	1
16		1070050	Tie Wrap (3-29/32" L)	1	2
17		2001951-NLA	NLA - Restrictor Assembly - IRC3LX	1	1
17	C	1078263-NLA	NLA - Restrictor Assembly (IRC5LX)	1	1
18		1089455	Tie Wrap (15-1/4" L)	1	4

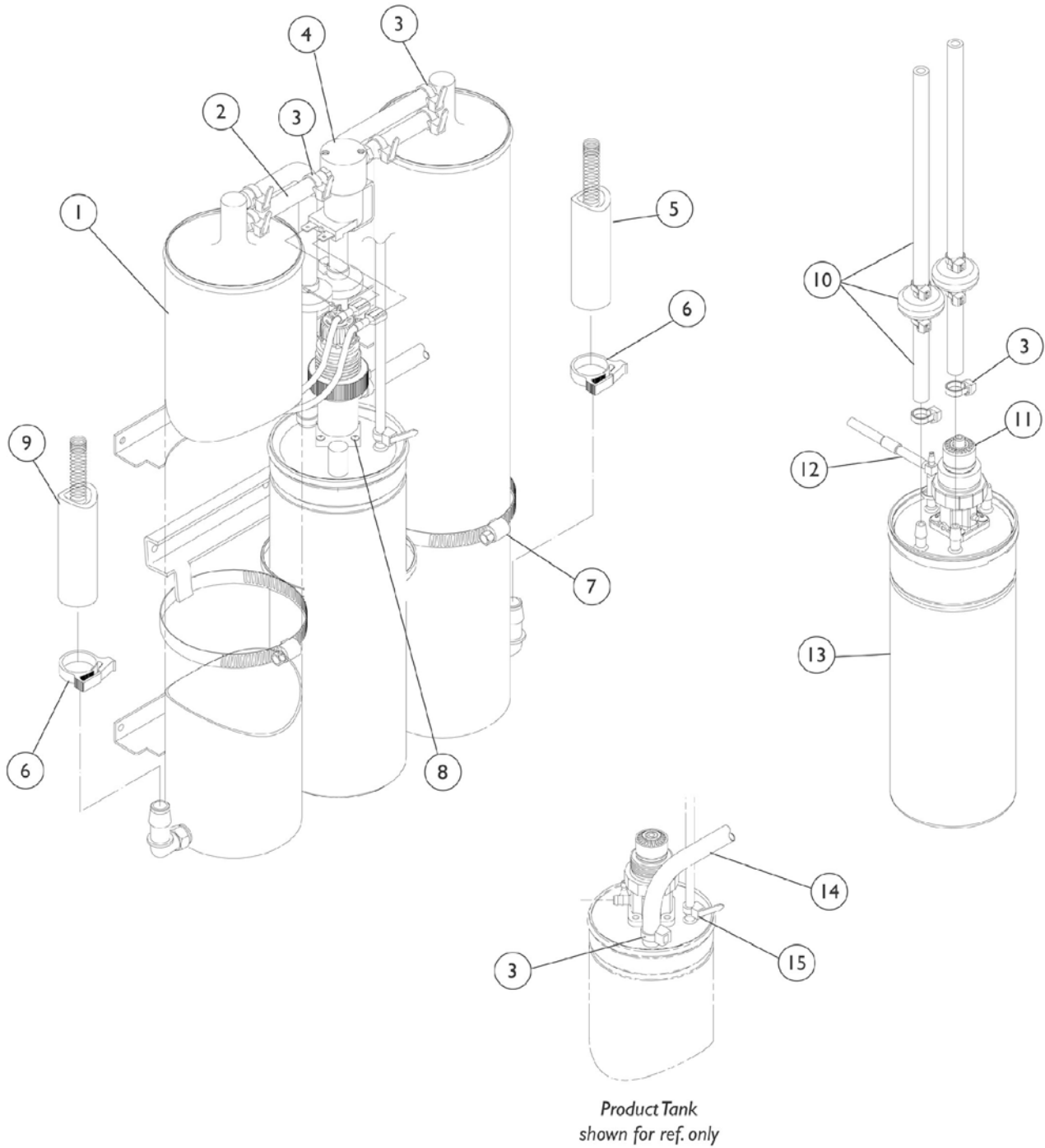
Sieve Bed Assembly and Product Tank

All Models Except Platinum 5

Item Number	Note	Part Number	Description	Quantity Per	
				Package	Assembly
	B,D	2002808-NLA	NLA - Plate, Adaptor	1	1
	B,J	2001673-NLA	Kit, Pressure Gauge Tap In with Gauge	1	1
			Fitting, Tee Barb (1/4")	1	1
			Plug, Hose (1/4")	1	1
			Clamp (1/4")	1	4
			Tubing, Silicone (1/4 x 16")	1	1
			Kit, Pressure Gauge	1	1
			Instruction Sheet	1	1
	B	2001671	Kit, Pressure Gauge Tap In without Gauge	1	1
			Fitting, Tee Barb (1/4")	1	1
			Plug, Hose (1/4")	1	1
			Clamp (1/4")	1	4
			Tubing, Silicone (1/4 x 16")	1	1
			Instruction Sheet	1	1
		2001674	Kit, Pressure Gauge	1	1
<p>NOTE: A - Includes (2) Sieve Beds, (2) Clamps, (2) Hose Clamps and (4) Tie Wraps. B - Not Shown. C - Used on Serial Numbers: 99A655582, 99A655585, 99A655590, 99A655594, 99A655596, 99A65662, 99A65664, 99A65688, 99A65692, 99A65744, 99A65745, 99A65877, 99A65879, 99A65900. D - Before 5/98. E - After 4/98. F - LX Models. G - LX02 Models. H - Includes Tubing, Tie Wraps, Barb Fitting and PE Valve. I - Before 6/23/03. J - Item no longer available. Please order part #2001671 and 2001674 as a replacement. K - Item no longer available. Please order part #1114925 as a replacement. L - Kit includes the Regulator, (4) Screws, (2) O-Rings</p>					

Sieve Bed Assembly and Product Tank

Platinum 5 Models



Sieve Bed Assembly and Product Tank Platinum 5 Models

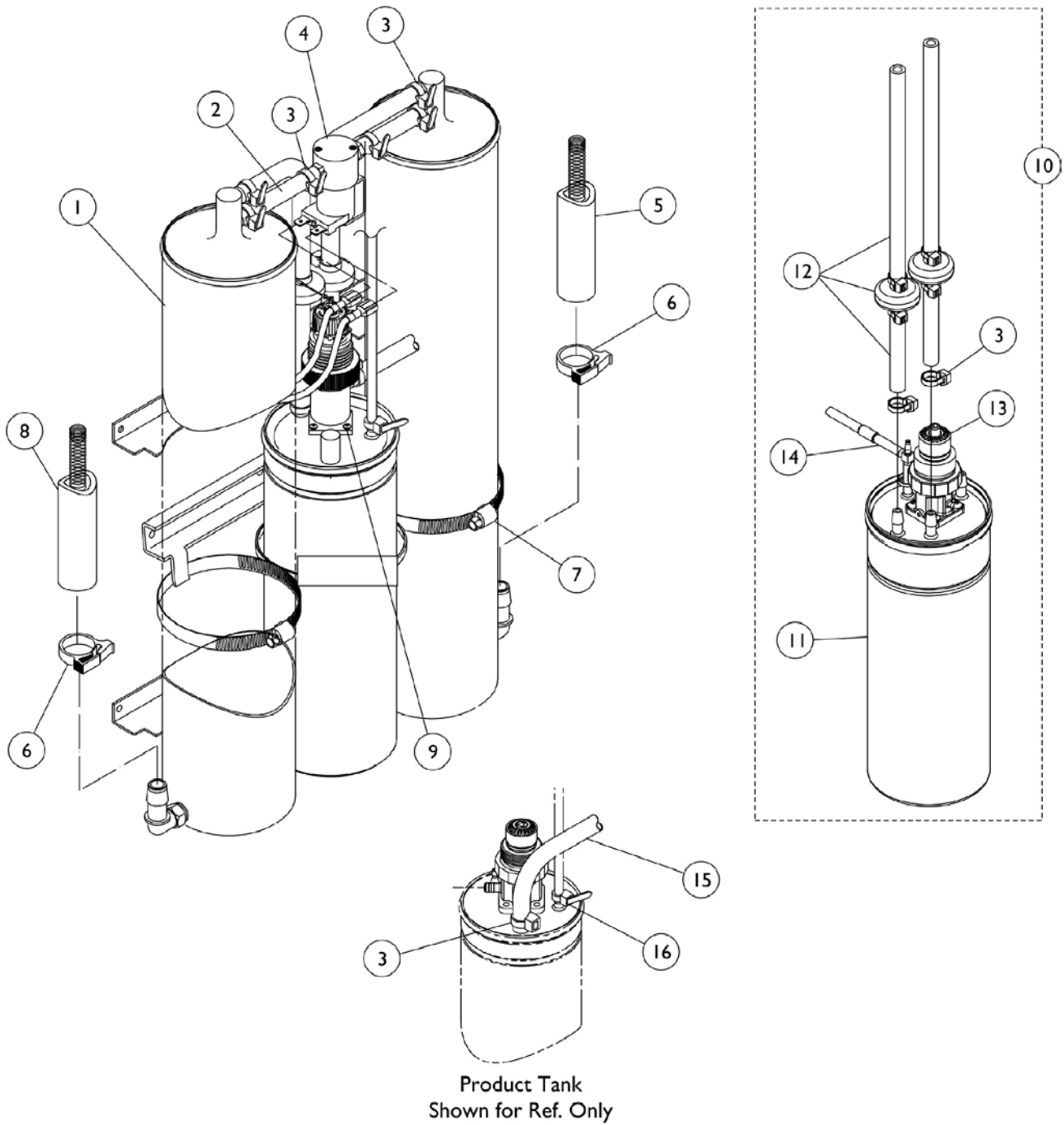
Item Number	Note	Part Number	Description	Quantity Per	
				Package	Assembly
1	A	1101707	Sieve Bed Assembly (Pair)	2	1
2		1110774	Tubing, PVC (1/4 x 2-1/2")	1	2
3		2001682	Tie Wrap (8" L)	1	9
4		2001656	PE Valve Assembly w/ Fitting	1	1
5		1108783	Tubing, Braided (1/2 x 23")	1	1
6		2001652	Clamp, Plastic (1/2")	1	2
7		1002807	Clamp, Hose	1	2
8		1070147	Screw, Phillips Pan Head (#4-24 x 1")	1	4
9		1108784	Tubing, Braided (1/2 x 20-1/4")	1	1
10	B	1104310	Kit, Check Valve	1	1
			Clamp, Hose	1	2
			Tie Wrap (3-29/32" L)	1	1
			Instruction Sheet	1	1
			Check Valve, Barb (5/16")	1	2
			Tie Wrap (8" L)	1	9
			Tube, Clear (1/4")	1	1
11	L	1162039	Kit, Regulator	1	1
			Regulator	1	1
			Screw, Regulator (8-32 x 3/8")	1	4
			O-Ring (11/64" I.D.)	1	2
11	L	1162040	Kit, Regulator w/ SenO2	1	1
			Regulator	1	1
			Screw, Regulator (8-32 x 3/8")	1	4
			O-Ring (11/64" I.D.)	1	2
12	C,G	1106774	HomeFill Tubing Assembly	1	1
12	C,H,J	1116433	HomeFill Tubing Assembly	1	1
13	D,E,G, K	1082588-NLA	NLA - Product Tank Assembly - IRC5LX	1	1
13		1114925-NLA	NLA - Product Tank Assembly - IRC5LX	1	1
13	E,H,J	1116731	Product Tank Assembly - IRC5LX	1	1
13	D,F,G	1075665	Product Tank Assembly - IRC5LX02	1	1
13	F,H,J	1116730	Product Tank Assembly - IRC5LX02	1	1
14		1108809	Tubing, PVC (1/4 x 12-3/4")	1	1
15		1070050	Tie Wrap (3-29/32" L)	1	1

NOTE: A - Includes (2) Sieve Beds, (2) Clamps, (2) Hose Clamps and (4) Tie Wraps.
 B - Includes Check Valve, Tubing and Tie Wraps.
 C - Includes Tubing and Fittings.
 D - Includes Items 8 and 11.
 E - IRC5LX.
 F - IRC5LX02.
 G - Before 6/23/03.
 H - After 6/22/03.
 J - Due to design change the Homefill Tubing Assembly has changed from a 8-1/2" to a 18" Hose, with a removal of the fitting as well. The change is compatible with existing units.
 K - Item no longer available. Please order part #1114925 as a replacement.
 L - Kit includes the Regulator, (4) Screws, (2) O-Rings

Sieve Bed Assembly and Product Tank

10 Liter Models

NOTE: Item #11 Product Tank is no longer available as an individual part. Please refer to item #10 Product Tank Assembly.



Sieve Bed Assembly and Product Tank

10 Liter Models

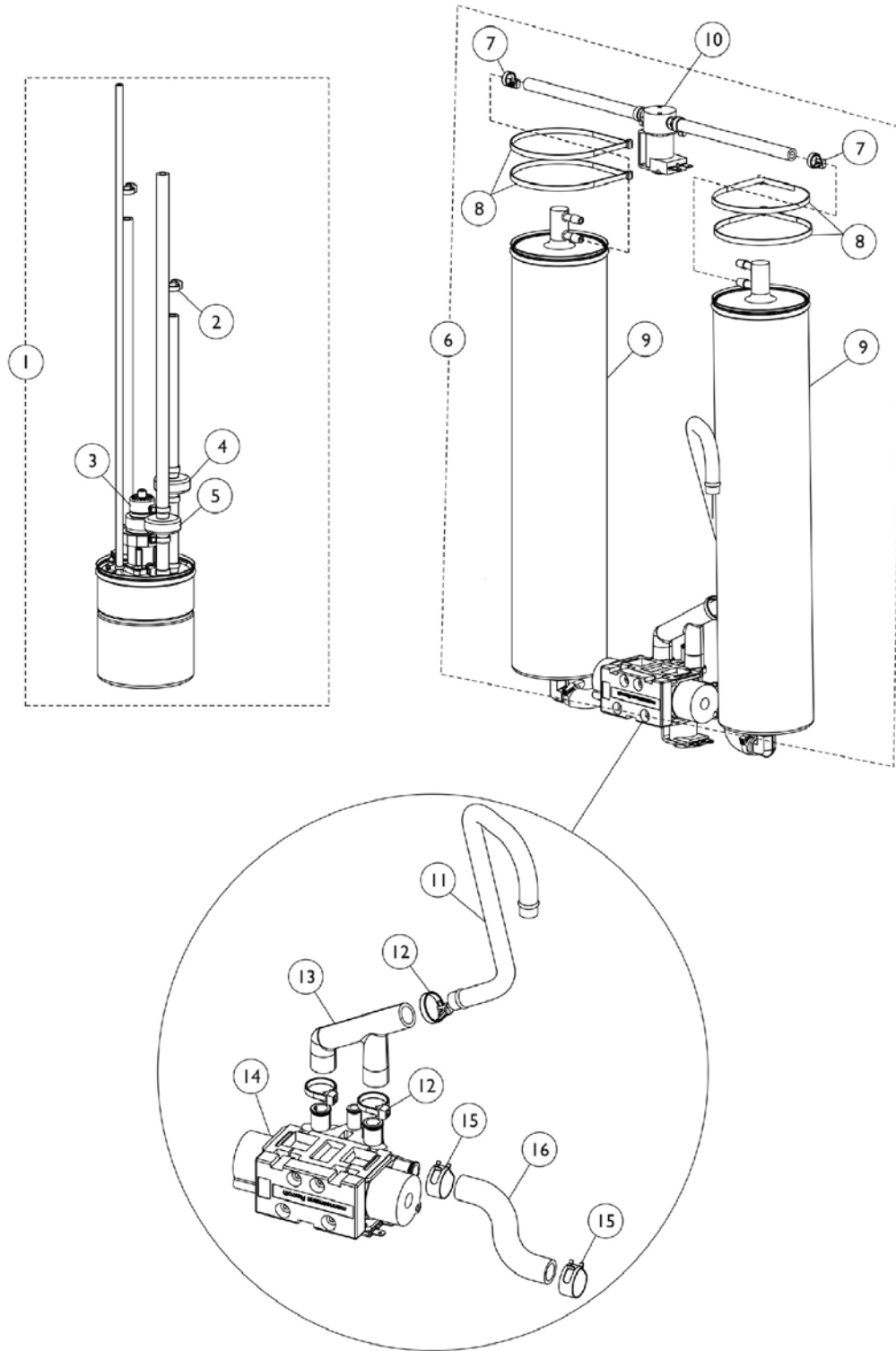
NOTE: Item #11 Product Tank is no longer available as an individual part. Please refer to item #10 Product Tank Assembly.

Item Number	Note	Part Number	Description	Quantity Per	
				Package	Assembly
1	B	1144034	Kit, Sieve Beds (Pair)	1	1
			Sieve Bed Assembly - 10LX/10LXO2	1	2
			Tie Wrap (8" L)	1	4
			Clamp, Plastic (1/2")	1	2
			Clamp, Hose	1	2
2		1110774	Tubing, PVC (1/4 x 2-1/2")	1	2
3		2001682	Tie Wrap (8" L)	1	9
4	A	2001656	PE Valve Assembly w/ Fitting	1	1
5		1108783	Tubing, Braided (1/2 x 23")	1	1
6		2001652	Clamp, Plastic (1/2")	1	2
7		1002807	Clamp, Hose	1	2
8		1108784	Tubing, Braided (1/2 x 20-1/4")	1	1
9		1075666	Screw, Regulator (8-32 x 3/8")	1	4
10	C	1132389	Product Tank Assembly - 10LX	1	1
10	C	1130675	Product Tank Assembly - 10LXO2	1	1
12		1104310	Kit, Check Valve	1	1
			Clamp, Hose	1	2
			Tie Wrap (3-29/32" L)	1	1
			Instruction Sheet	1	1
			Check Valve, Barb (5/16")	1	2
			Tie Wrap (8" L)	1	9
			Tube, Clear (1/4")	1	1
13	H	1130067	Regulator, Manifold Mount - 10L w/o O2 Bleed	1	1
13	I	1130066	Regulator, Manifold Mount - 10L w/ O2 Bleed	1	1
14	E,G	1116433	HomeFill Tubing Assembly	1	1
15		1108809	Tubing, PVC (1/4 x 12-3/4")	1	1
16		1070050	Tie Wrap (3-29/32" L)	1	1

NOTE: A - Includes Valve, Tubing and Tie Wraps.
 B - Includes Item #1 (2) Sieve Bed Assemblies, item #3 (4) Tie Wraps, item #6 (2) Plastic Clamps and item #7 (2) Hose Clamps
 C - Includes Product Tank, Check Valve Assembly, Tie Wraps and Homefill Tubing. Item #11 Product Tank is no longer available as an individual part.
 E - Includes Fitting, Restrictor, Hose, Filter and Tie Wraps.
 G - Due to design change the Homefill Tubing Assembly has changed from a 8-1/2" to a 18" Hose, with a removal of the fitting as well. The change is compatible with existing units.
 H - Regulator does not have an O2 bleed port
 I - Regulator does have an O2 bleed port

Sieve Bed Assembly and Product Tank

Perfecto2



Sieve Bed Assembly and Product Tank Perfecto2

Item Number	Note	Part Number	Description	Quantity Per	
				Package	Assembly
1		1159071	Product Tank Assembly	1	1
1		1159072	Product Tank Assembly w/ SensO2 Regulator	1	1
2		2001682	Tie Wrap (8" L)	1	3
3	A	1162039	Kit, Regulator	1	1
			Regulator	1	1
			Screw, Regulator (8-32 x 3/8")	1	4
			O-Ring (11/64" I.D.)	1	2
3	A	1162040	Kit, Regulator w/ SenO2	1	1
			Regulator	1	1
			Screw, Regulator (8-32 x 3/8")	1	4
			O-Ring (11/64" I.D.)	1	2
4	B	1143544	Check Valve Assembly	1	1
5	C	1143580	Check Valve Assembly	1	1
6	D	1161257	Kit, Sieve Beds (Pair)	1	1
7			Tie Wrap (8" L)	1	2
8			Tie Wrap (17-1/2" L)	1	4
9			Sieve Bed Assembly	1	2
7		2001682	Tie Wrap (8" L)	1	2
8		1018239	Tie Wrap (17-1/2" L)	1	4
10		1143578	PE Valve Assembly	1	1
11		1143447	Tube, Exhaust	1	1
12		2001682	Tie Wrap (8" L)	1	3
13		1143446	Tube, F	1	1
14	E	1143556	Manifold/Valve Assembly	1	1
	F	1101141	Kit, 4-Way Valve w/ Screws	1	1
	I	1143497	Valve, Operator Pilot Low Power	1	1
		1085112	O-Ring, Pilot Valve (35/64" I.D.)	1	1
15	G	1143494-NLA	NLA - Clamp, Hose (1/2")	1	4
15	H	1160798	Clamp, Hose Spring (1/2")	1	4
16		1143458	Tube, Preformed (1/2")	1	2

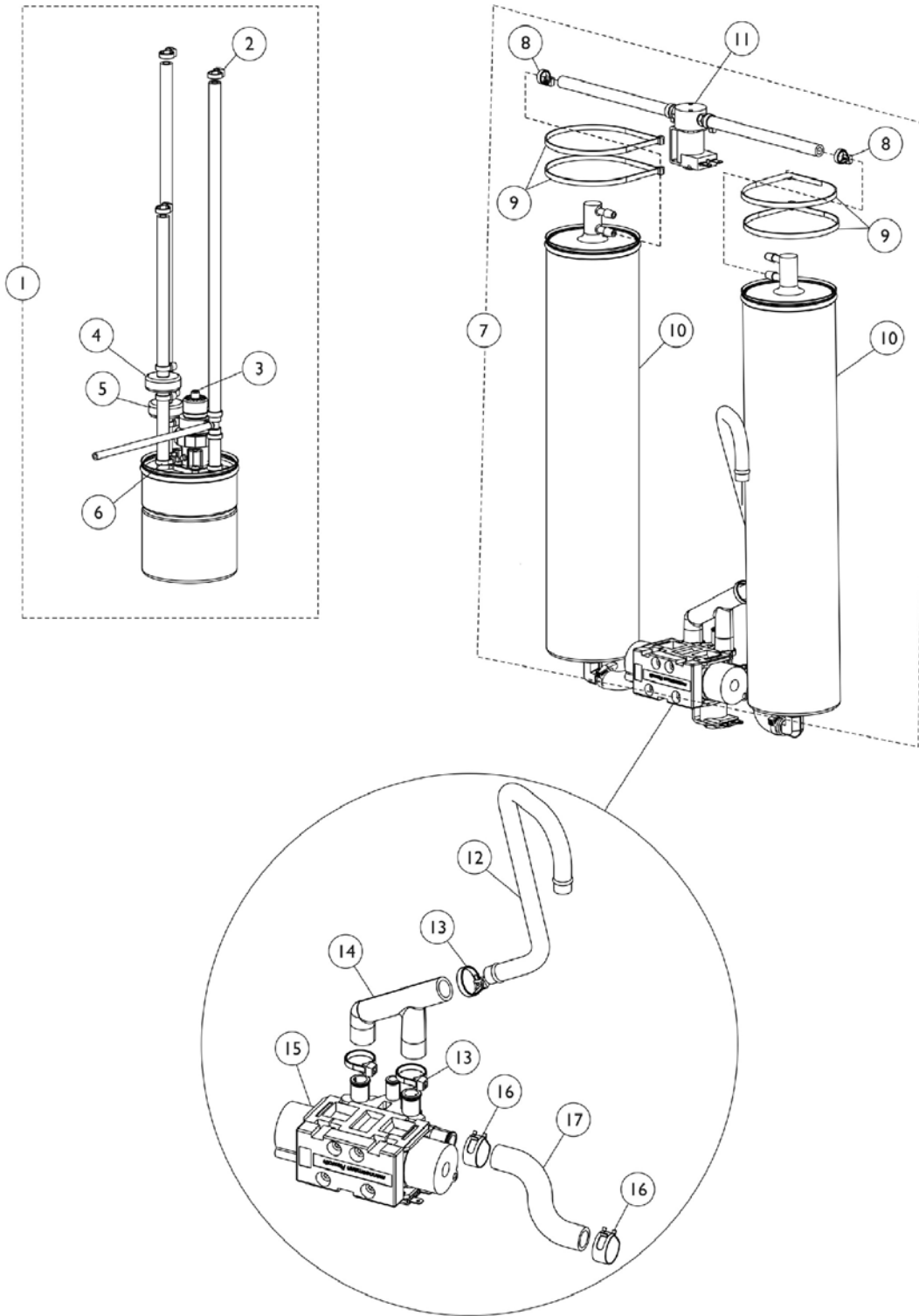
NOTE: A - Kit includes the Regulator, (4) Screws, (2) O-Rings
 B - Includes (1) Valve, (2) Tie Wraps, (1) 6" Tubing and (1) 3" Tubing.
 C - Includes (1) Valve, (2) Tie Wraps, (1) 12-3/4" Tubing and (1) 1-3/4" Tubing.
 D - Includes items 7-9
 E - Includes (1) Valve, 4-Way with Screws, (1) Pilot Valve O-Ring, (1) Air Manifold, (1) Operator Pilot Low Power Valve
 F - Includes the 4-Way Valve with Screws only
 G - Item no longer used, replace with Part #1160798
 H - Plastic Clamp replaced with a Spring Clamp 9/12/08
 I - A new Pilot Valve O-Ring part #1085112 is recommended when ordering a new Operator Pilot Low Power Valve.

Sieve Bed Assembly and Product Tank Perfecto2V

Item Number	Note	Part Number	Description	Quantity Per	
				Package	Assembly
1		1161711	Product Tank Assembly	1	1
2		2001682	Tie Wrap (8" L)	1	3
3	A	1162040	Kit, Regulator w/ SenO2	1	1
			Regulator	1	1
			Screw, Regulator (8-32 x 3/8")	1	4
			O-Ring (11/64" I.D.)	1	2
4	B	1143544	Check Valve Assembly	1	1
5	C	1143580	Check Valve Assembly	1	1
6	D	1165099	Kit, Sieve Beds (Pair)	1	1
7			Tie Wrap (8" L)	1	4
8			Tie Wrap (17-1/2" L)	1	4
9			Sieve Bed Assembly	1	2
7		2001682	Tie Wrap (8" L)	1	4
8		1018239	Tie Wrap (17-1/2" L)	1	4
10	E	1165100	Kit, Adapters, Sieve Bed	1	1
11			Adapter, Sieve Bed Top	1	1
12			Adapter, Sieve Bed Bottom	1	1
13		1164785	PE Valve Assembly	1	1
14		1143447	Tube, Exhaust	1	1
15		2001682	Tie Wrap (8" L)	1	3
16		1143446	Tube, F	1	1
17	F	1143556	Manifold/Valve Assembly	1	1
	G	1101141	Kit, 4-Way Valve w/ Screws	1	1
	H	1143497	Valve, Operator Pilot Low Power	1	1
		1085112	O-Ring, Pilot Valve (35/64" I.D.)	1	1
18		1160798	Clamp, Hose Spring (1/2")	1	4
19		1143458	Tube, Preformed (1/2")	1	2

NOTE: A - Kit includes the Regulator, (4) Screws, (2) O-Rings
 B - Includes (1) Valve, (2) Tie Wraps, (1) 6" Tubing and (1) 3" Tubing.
 C - Includes (1) Valve, (2) Tie Wraps, (1) 12-3/4" Tubing and (1) 1-3/4" Tubing.
 D - Includes items 7-9
 E - Includes items 11 and 12. Kit accommodates (1) Sieve Bed
 F - Includes (1) Valve, 4-Way with Screws, (1) Pilot Valve O-Ring, (1) Air Manifold, (1) Operator Pilot Low Power Valve
 G - Includes the 4-Way Valve with Screws only
 H - A new Pilot Valve O-Ring Part #1085112 is recommended when ordering a new Operator Pilot Low Power Valve

Sieve Bed Assembly and Product Tank PerfectoW



Sieve Bed Assembly and Product Tank

PerfectoW

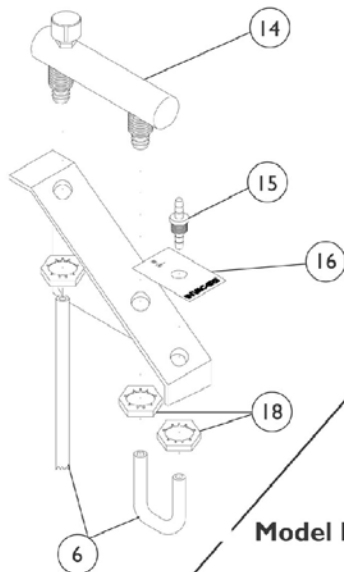
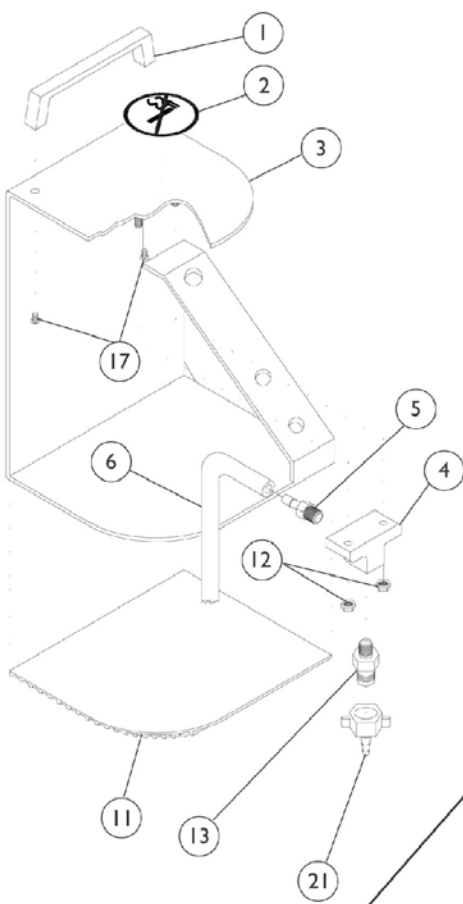
Item Number	Note	Part Number	Description	Quantity Per	
				Package	Assembly
1	A	1161712	Product Tank Assembly	1	1
1	B	1161711	Product Tank Assembly	1	1
2		2001682	Tie Wrap (8" L)	1	3
3	H	1162039	Kit, Regulator	1	1
			Regulator	1	1
			Screw, Regulator (8-32 x 3/8")	1	4
			O-Ring (11/64" I.D.)	1	2
3	H	1162040	Kit, Regulator w/ SenO2	1	1
			Regulator	1	1
			Screw, Regulator (8-32 x 3/8")	1	4
			O-Ring (11/64" I.D.)	1	2
4	C	1143544	Check Valve Assembly	1	1
5	D	1143580	Check Valve Assembly	1	1
6		1006525	Tie Wrap (3-29/32" L)	1	3
7	E	1161257	Kit, Sieve Beds (Pair)	1	1
8			Tie Wrap (8" L)	1	2
9			Tie Wrap (17-1/2" L)	1	4
10			Sieve Bed Assembly	1	2
8		2001682	Tie Wrap (8" L)	1	2
9		1018239	Tie Wrap (17-1/2" L)	1	4
11		1143578	PE Valve Assembly	1	1
12		1143447	Tube, Exhaust	1	1
13		2001682	Tie Wrap (8" L)	1	3
14		1143446	Tube, F	1	1
15	F	1143556	Manifold/Valve Assembly	1	1
	G	1101141	Kit, 4-Way Valve w/ Screws	1	1
	I	1143497	Valve, Operator Pilot Low Power	1	1
		1085112	O-Ring, Pilot Valve (35/64" I.D.)	1	1
16		1160798	Clamp, Hose Spring (1/2")	1	4
17		1143458	Tube, Preformed (1/2")	1	2

NOTE: A - Use with PW Models.
 B - Use with PO2W Models.
 C - Includes (1) Valve, (2) Tie Wraps, (1) 6" Tubing and (1) 3" Tubing.
 D - Includes (1) Valve, (2) Tie Wraps, (1) 12-3/4" Tubing and (1) 1-3/4" Tubing.
 E - Includes items 8-10
 F - Includes (1) Valve, 4-Way with Screws, (1) Pilot Valve O-Ring, (1) Air Manifold, (1) Operator Pilot Low Power Valve
 G - Includes the 4-Way Valve with Screws only
 H - Kit includes the Regulator, (4) Screws, (2) O-Rings
 I - A new Pilot Valve O-Ring part #1085112 is recommended when ordering a new Operator Pilot Low Power Valve

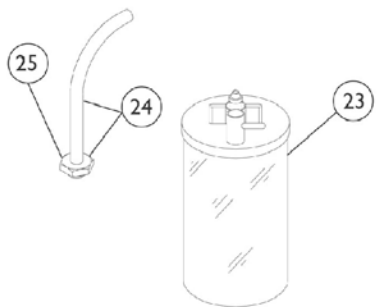
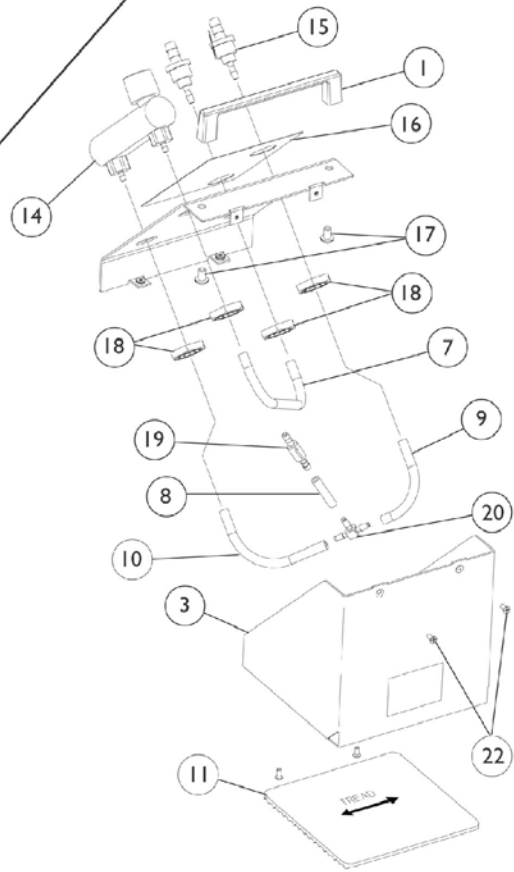
Remote Flowmeters

IRCRF5 - Adult, IRCPF16 - Pediatric

Model IRCRF5 - Adult



Model IRCPF16 - Pediatric



Remote Flowmeters

IRCRF5 - Adult, IRCPF16 - Pediatric

Item Number	Note	Part Number	Description	Quantity Per	
				Package	Assembly
1		2001208	Handle, Flowmeter Stand, Chrome	1	1
2		2001206	Label, No Smoking	1	1
3	D	2003080	Stand, Flowmeter	1	1
4	B	2001207-NLA	NLA - Stand, Flowmeter	1	1
5		2001202	Fitting, Tee	1	1
6		1141758	Tubing, Silicone (1/4 x 16")	1	1
7		1073266	Hose, Clear Vinyl (1/8 x 6")	1	1
8		1073267	Hose, Clear Vinyl (1/8 x 1")	1	1
9		1073268	Hose, Clear Vinyl (1/8 x 2-13/16")	1	1
10		1073269	Hose, Clear Vinyl (1/8 x 3-5/16")	1	1
11	D	2003074	Mat, Rubber	1	1
11	B	1079652	Mat, Rubber	1	1
12		1026031	Nut, Hex with Nylon Cap (#10-32)	1	1
13		2001198-NLA	NLA - Fitting, Barbed (9/16-18 x 1/8")	1	1
14	D	2001103	Flowmeter	1	1
14	B,C	2001896	Flowmeter	1	1
15	D	2001288	Fitting, Barbed with Palnut (1/8")	1	1
15	B	2000473	Connector, Barbed (1/4")	1	1
16	D	2003075	Decal, Logo, Ped	1	1
16	B	2001210	Decal, Logo, In.	1	1
17		1018138	Screw, Socket Button Head (#10-24 x 1/4")	1	1
18		2000507	Palnut (9/16-18)	1	4
19		2001879	Restrictor, Barbed (1/8")	1	1
20		2001098	Tee, Single Barbed (1/8")	1	1
21		P0955X030	Connector, Humidifier Bottle	1	1
22		1067973	Screw, Phillips Flat Head (4-40 x 3/8")	1	4
23		3260S	Bottle, Humidifier	1	1
24		2000799	Adapter with Tubing for Humidifier Bottle	1	1
25		2000503	Adapter, Humidifier Bottle	1	1
	A	2001219	Carton	1	1
	A,D	2001105	Instruction Manual, Pediatric Flowmeter IRCPF16	1	1
	A,B	2001222	Instruction Sheet, Remote Flowmeter IRCRF5	1	1
	A,D	1071207	Tubing, Oxygen Supply (7' L)	1	1
	A,D	2003110	Tubing, Oxygen Supply (21' L)	1	1
	A,B	2001221	Tubing, Oxygen Supply (50' L)	1	1
	A,D	1071275-NLA	NLA - Kit, Set-Up Pediatric Flowmeter	1	1
			Tubing, Oxygen Supply (21' L)	1	1
			Tubing, Oxygen Supply (7' L)	1	2
			Connector, Tubing	1	1
			Adapter, Humidifier Bottle	1	1
			Instruction Manual, Pediatric Flowmeter IRCPF16	1	1

Remote Flowmeters

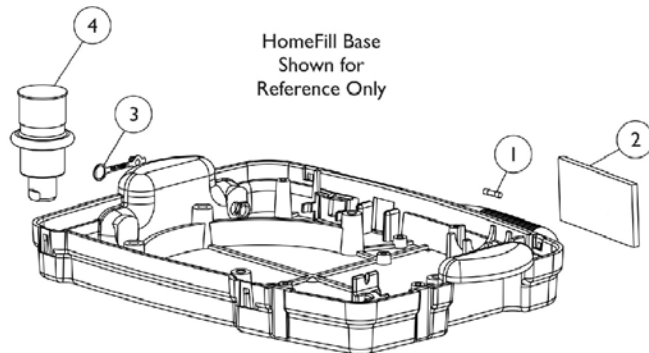
IRCRF5 - Adult, IRCPF16 - Pediatric

NOTE: A - Not Shown.
B - Adult.
C - Includes item 18.
D - Pediatric.

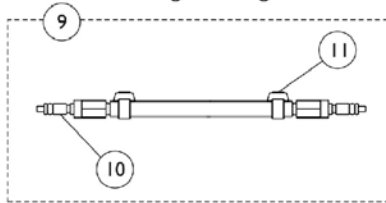
Invacare Check 02 Plus Concentrator Analyzer

Item Number	Note	Part Number	Description	Quantity Per	
				Package	Assembly
		2002246	Tubing (12" L)	1	1

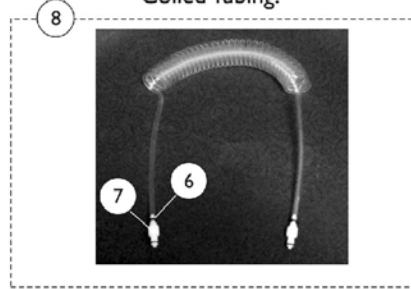
HomeFill Base and HomeFill Stand Components



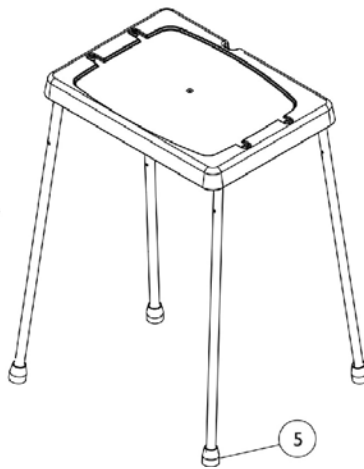
Use on units with
straight tubing.



Use on units with
Coiled Tubing.



HomeFill Stand
Shown for
Reference Only



HomeFill Base and HomeFill Stand Components

Item Number	Note	Part Number	Description	Quantity Per	
				Package	Assembly
1		1099820	Fuse (2 AMP)	1	1
2		2000489	Filter, Cabinet	1	1
3	C	1108211	Cap, End, Dust, Green	1	1
4	F	1127653	Dust Cover with Lanyard (1-1/2")	1	1
4	M	1156644	Dust Cover with Lanyard (1")	1	1
5	B,E	1086773-NLA	NLA - Tip, Rubber, Black (3/4" Tubing)	1	4
5	E	1128290	Package, Rubber Tip, Black (Fits 3/4" Tubing)	4	1
	D,A	504068	Cap, End, Dust, Oxygen Cylinder	1	1
	A	1112949	Cord, Power	1	1
6	K	1006525	Tie Wrap (3-29/32" L)	1	2
7	K	1145488	Package, Straight Internal Valve Fitting (1/8")	10	1
8	G,I	1105177	Supply Line Assembly w/ Coiled Tubing (12 ft.)	1	1
	H,A	1072002	Pad, Non Skid	10	1
9	I,L	1145487	Supply Line Assembly w/ Straight Tubing (3-21/64 FT)	1	1
10	J	1145489	Package, Hose Fitting (1/4" Barb)	10	1
11	J	2001682	Tie Wrap (8" L)	1	2

NOTE: A - Not Shown.
 B - Item no longer available, see Part #1128290.
 C - Used for Homefill Interface Port.
 D - For use with Homefill Oxygen Cylinder.
 E - For use on IOH250 Invacare Homefill Stand.
 F - For use over Oxy Lock Coupler with 1-1/2" Diameter.
 G - Includes Coiled Tubing, Fittings and Tie Wraps.
 H - Use with Homefill Ready Rack.
 I - After 4/12/06, the tubing style has changed to a Coiled Tubing.
 J - Use with Supply Line Assembly "Before 4/13/06" with Straight Tubing.
 K - Use with Supply Line Assembly "After 4/12/06" with Coiled Tubing.
 L - Includes Straight Tubing, Fittings and Tie Wraps.
 M - For use over Oxy Lock Coupler with 1" Diameter.

NOTE: Please contact an Invacare Parts Specialist for replacement parts at 1-800-333-6900 ext. 3722.

HomeFill Cylinder Assembly

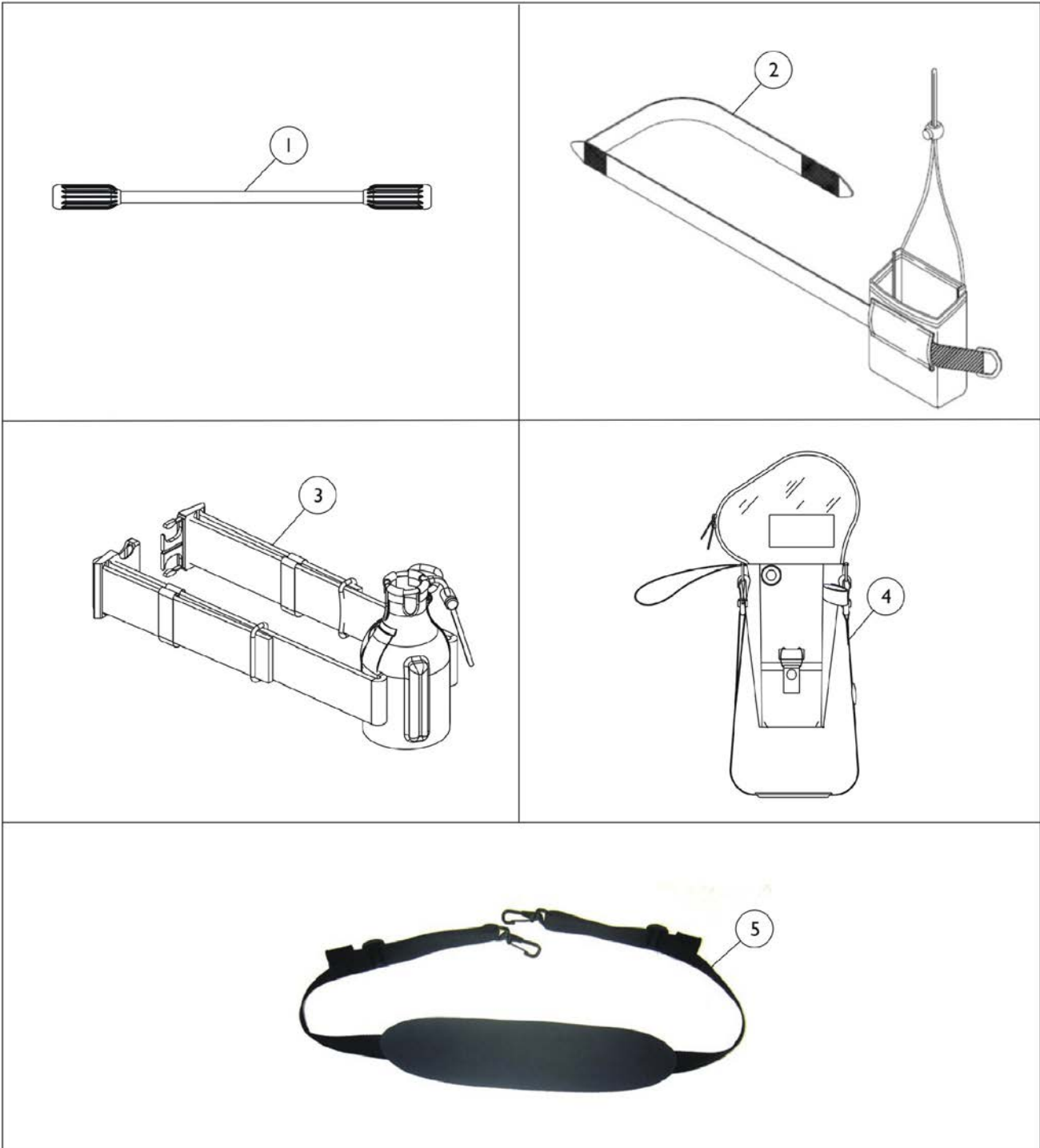


HomeFill Cylinder Assembly

Item Number	Note	Part Number	Description	Quantity Per	
				Package	Assembly
1		1157638	Kit, Protective Cap w/Hardware, Black	1	1
			Cap, End, Protective, Black	1	1
			Screw, Cap Mounting	1	3
2		1157640	Package, Fitting Cover	10	1
3	A	1117149	Kit, Receptacle Fitting Brass	1	1
			NLA - Fitting, Brass (1/4")	1	1
4	A	1157639	Instruction Sheet	1	1
			Kit, Fitting w/ Instructions	1	1
			Instruction Sheet	1	1
5		1125090	Fitting, Male	1	1
6		1125090	Label, Oxygen Cylinder	1	1
		1157637	Gauge, Pressure (1-1/4" Diam.)	1	1

NOTE: A - Existing Fitting shape must be determined before ordering replacement part, refer to image as a reference.

Venture Demand Oxygen Delivery Device & Cylinder Accessories



Venture Demand Oxygen Delivery Device & Cylinder Accessories

Item Number	Note	Part Number	Description	Quantity Per	
				Package	Assembly
1		2002246	Tubing (12" L)	1	1
2		2002919	Pouch, Venture	1	1
3	A	1147509	Bag Assembly, M2 Cylinder	1	1
4	B	1093320	Bag, Shoulder - M6/M9	1	1
5	C	1130794-NLA	NLA - Strap, Shoulder - ML6 and ML9 Shoulder Bag	1	1
5		1154103	Strap, Shoulder Bag	1	1

NOTE: A - Includes Bag and Strap.
 B - Bag color has changed from Green to Black, as of 02/10/06.
 C - No Longer Available. Replaced with 1154103.

Concentrator Tool Kit

1



Invacare
Phillips/Flat Head
Screwdriver



Invacare Pen Light



Multimeter
with Leads



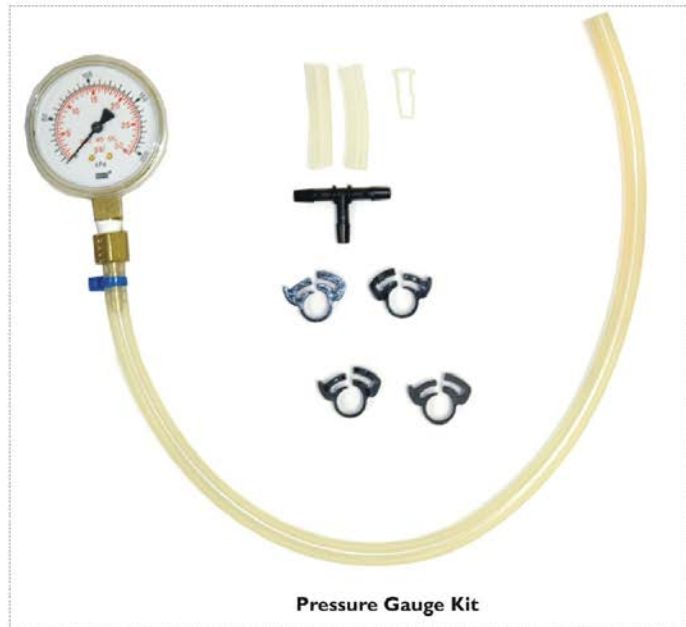
Grounding Wire



Invacare Check O2 Plus
Concentrator Analyzer



Tie Wrap



Pressure Gauge Kit

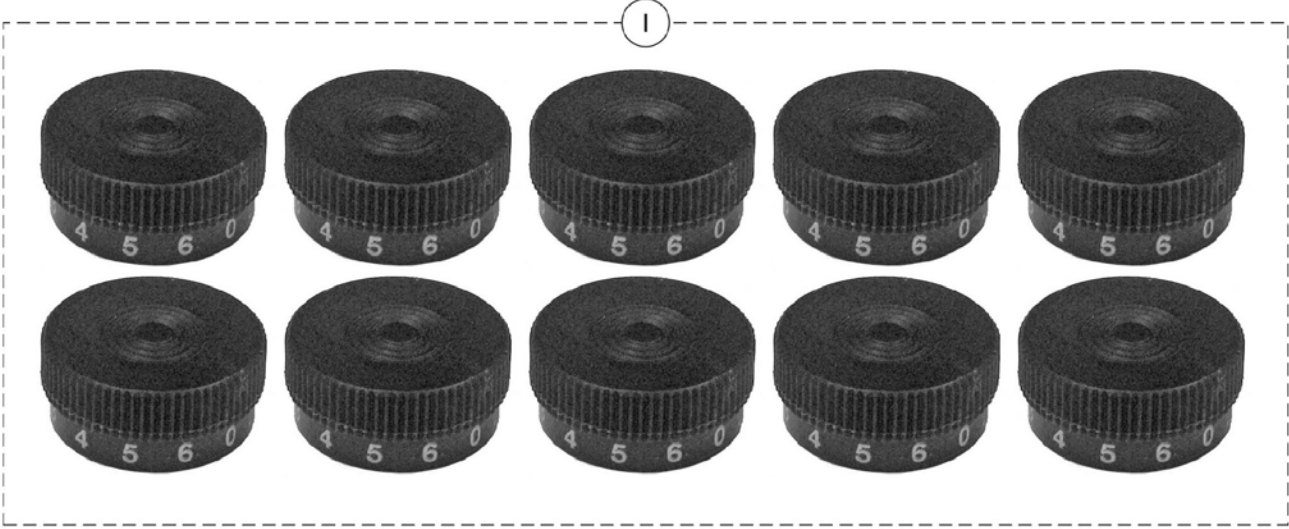
Concentrator Tool Kit

Item Number	Note	Part Number	Description	Quantity Per	
				Package	Assembly
1		1128756-NLA	Kit, Concentrator Tools	1	1
			Light, Pen-Size with Invacare Logo	1	1
			Screwdriver, Pen Size Phillips/Flat Head	1	1
			Tie Wrap (8" L)	1	2
			Multimeter with Leads	1	1
			Analyzer, Check O2 Plus Concentrator Invacare	1	1
			Strap, Ground with Wire and Clip	1	1
			Fitting, Tee Barb (1/4")	1	1
			Plug, Hose (1/4")	1	1
			Clamp (1/4")	1	4
			Tubing, Silicone (1/4 x 16")	1	1
			Kit, Pressure Gauge	1	1
			Instruction Sheet	1	1

Warranty Replacement Parts

Part Number	Description	Quantity per Assembly
1108720E See Note(s) A	WARR RPLMT - LXN PCB Assembly	1
1108731E See Note(s) A	WARR RPLMT - ISBN PCB Assembly	1
1106690E See Note(s) B	WARR RPLMT - Compressor Assembly, Thomas (5LX Plat.)	1
1128741E-NLA See Note(s) C	WARR RPLMT - Compressor (10LX/10LXO2)	1
1130666E See Note(s) C	WARR RPLMT - Compressor Assembly (10LX/10LXO2)	1
1143486E See Note(s) D	WARR RPLMT - PCB Assembly (PO2/PO2W)	1
1128742E See Note(s) E	WARR RPLMT - PCB Control Assembly (10LXO2)	1
1075071E See Note(s) F	WARR RPLMT - Compressor Assembly (6LX/6LXO2)	1
NOTE: A - See "Control Panel and PC Boards (Platinum 5 Models - After 12/5/02)" Category for more information. B - See "Compressor and Mtg. Hardware (Platinum 5 Models)" Category for more information. C - See "Compressor and Mtg. Hardware (10 Liter Models)" Category for more information. D - See "Control Panel and PC Boards (Perfecto2/PerfectoW)" Category for more information. E - See "Control Panel - Rear View" Category for more information. F - See "Compressor and Mtg. Hardware (Non Platinum 5 Models)" Category for more information.		

Miscellaneous Components



Item Number	Note	Part Number	Description	Quantity Per	
				Package	Assembly
1		1168406	Kit, Knob, 0-6 lpm, Homefill Knob, 0-6 lpm, Homefill	1 10	1 1

Invacare Corporation

www.invacare.com



Yes, you can.™

One Invacare Way
Elyria, Oh USA
44036-2125
800-333-6900

Technical Support
800-832-4707
Florida Technical Support
407-321-5630

Customer Service
800-333-6900

© 2011 Invacare Corporation. All rights reserved. Republication, duplication or modification in whole or in part is prohibited without prior written permission from Invacare. Trademarks are identified by ™ and ©. All trademarks are owned by or licensed to Invacare Corporation or its subsidiaries unless otherwise noted. (Revised 08/01/11)

Form No. 93-38